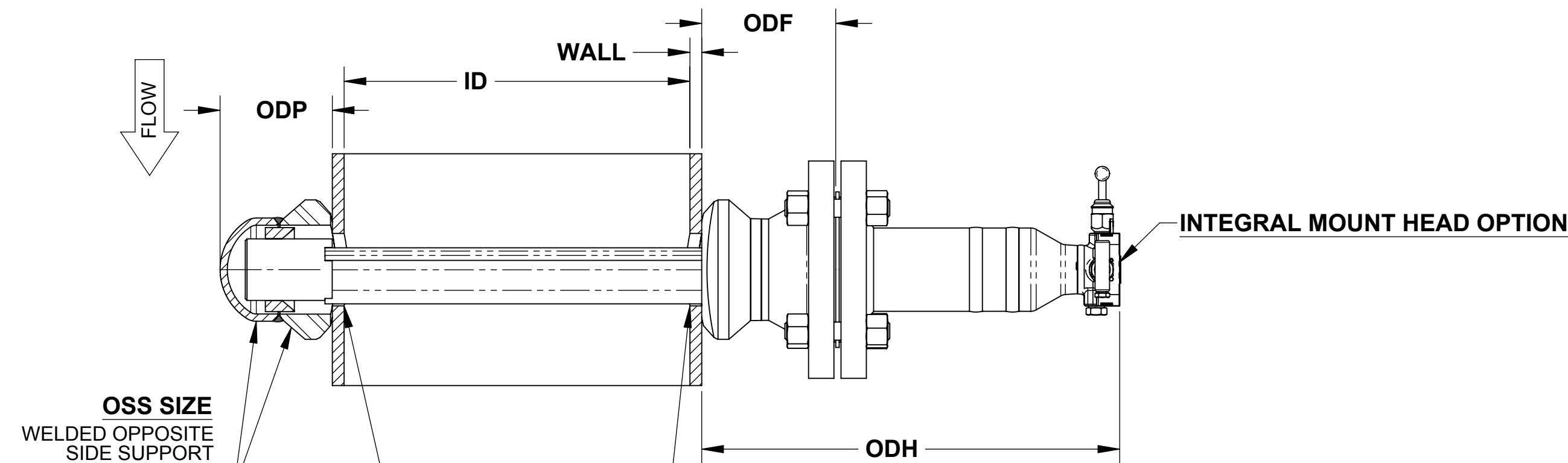
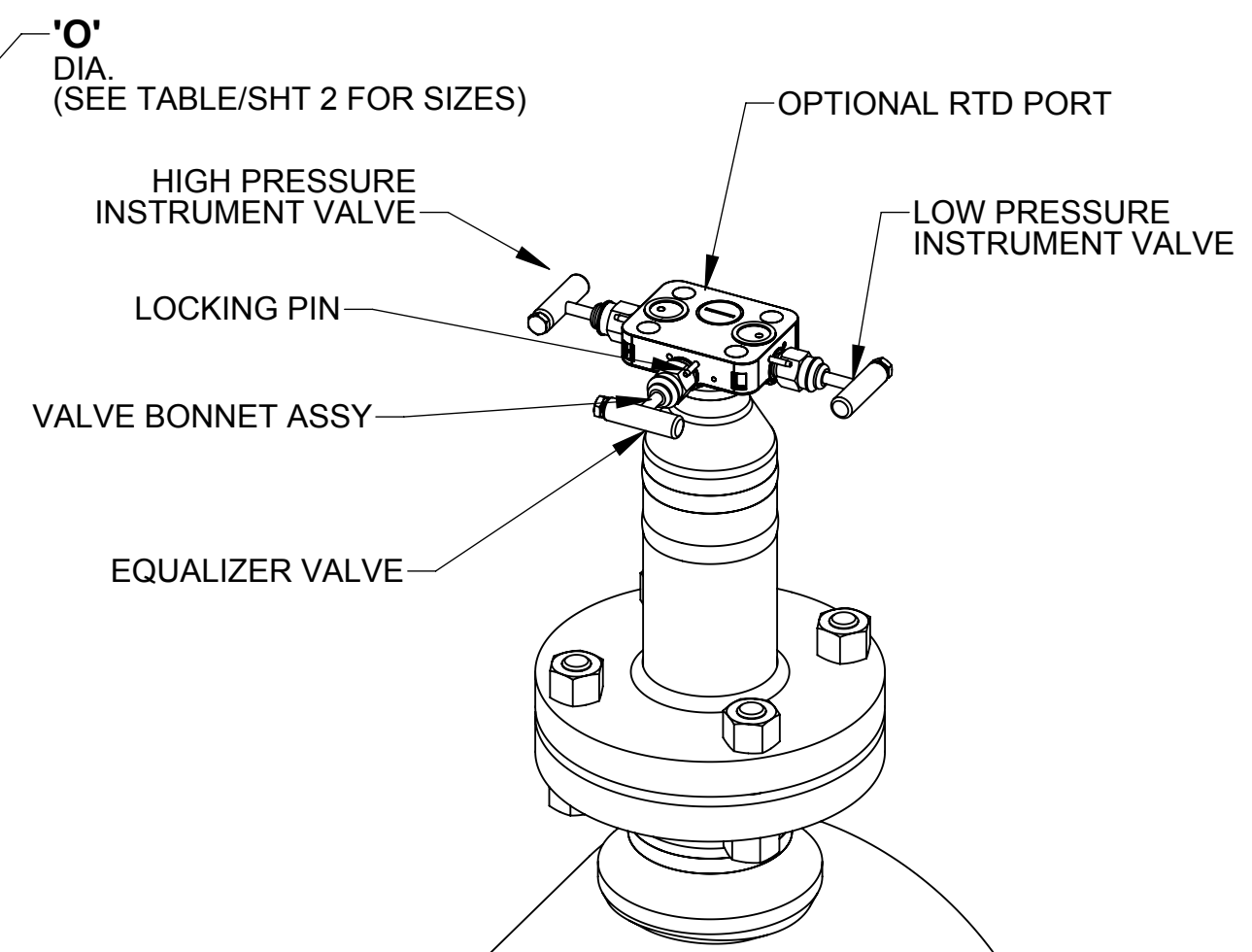
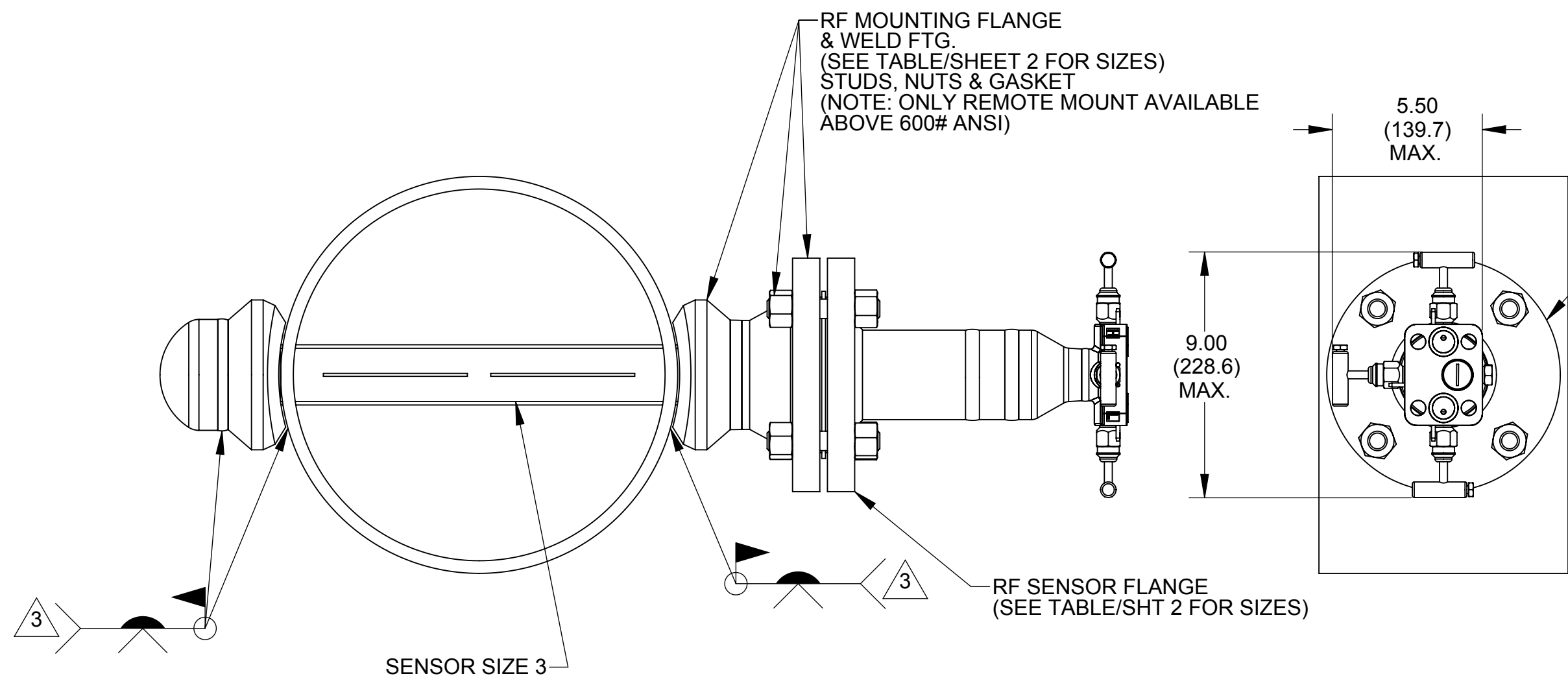
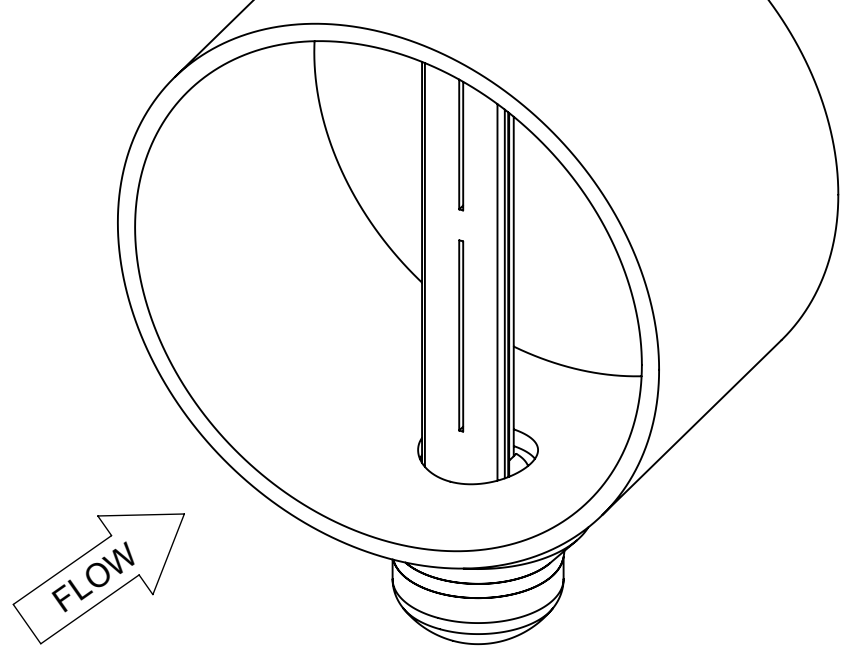


| REVISIONS | | | | |
|-----------|----------------------------|------------|-------|----------|
| REV | DESCRIPTION | CHG.NO. | APP'D | DATE |
| AD | ADDED LOW TEIR TRANSMITTER | DSI1003150 | JR | 02/15/10 |



OSS SIZE
WELDED OPPOSITE
SIDE SUPPORT
(SEE TABLE/SHEET 2
FOR SIZES)

NOTICE
FOR ACCURATE FLOW MEASUREMENT
THE CORRECT HOLE SIZE IN PIPE MUST BE:
2-1/2 INCH (64mm)
DO NOT DRILL OVERSIZE
DO NOT TORCH CUT HOLE



NOTE: UNLESS OTHERWISE SPECIFIED
ALL INFORMATION IS BOTH (TYP) & GENERAL
TO STANDARD PRODUCT DESIGN
ALL PIPE SECTIONS SHOWN FOR REFERENCE ONLY

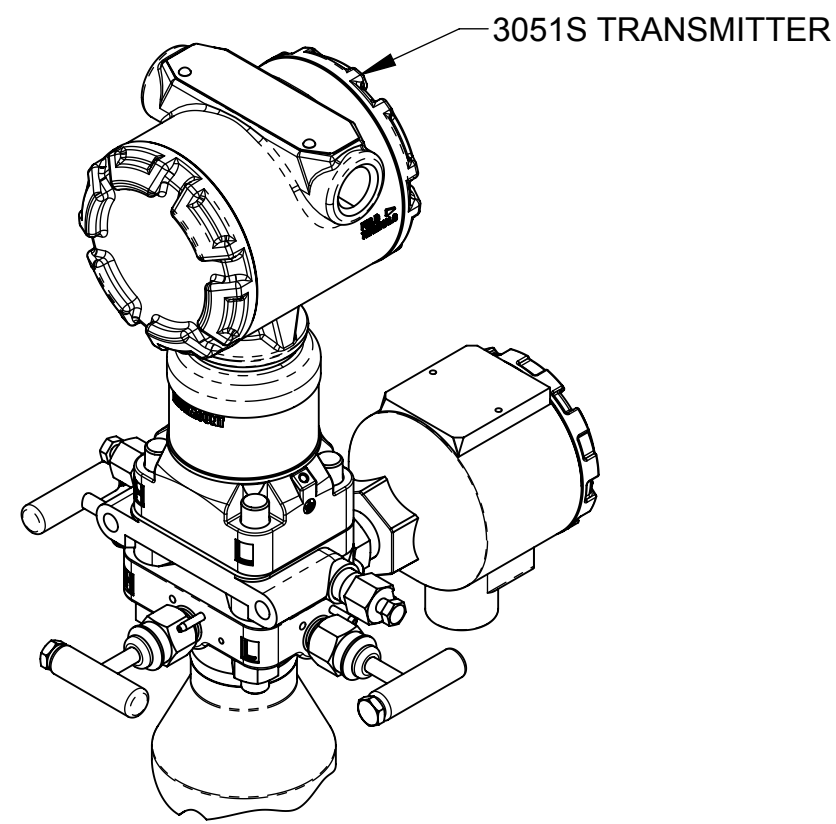
| | | | | |
|--|---------------|-------------|--|--|
| <p>*UNLESS OTHERWISE SPECIFIED DIMENSIONS IN INCHES (MM)</p> <p>*ALL DIMENSIONS ARE NOMINAL AND ARE FOR REFERENCE ONLY</p> | TYPE I | | ROSEMOUNT® BOULDER, COLORADO | |
| | DR. | jpaylor | 8/15/05 | TITLE DIMENSION DRAWING, MODEL 485 ANNUBAR FLOWMETER (3051SFA, 3051CFA 2051CFA, 3095MFA) SENSOR SIZE 3 FLANGED 150#-2500# ANSI |
| | APPROVAL | | | |
| | DRAWING | D.VERHAAGEN | 9/1/05 | |
| | TAGGING | | | SIZE C |
| SPECIALS | | | SCALE: NONE | SHEET 1 OF 5 |

| Flanged | | | | | | | | | | | |
|-------------|-------------------|---------------|-----------------------|---------------|---------------|-----------------|-------------------|-----------------|---------------|--------------|----------------|
| Sensor Size | Min. Rod Reynolds | Probe Width | 3-valve DM head width | Flange Rating | BFT | O | Flange Size (NPS) | ODF | ODH max | ODP max | OSS Size (NPS) |
| 3 | 25000 | 1.935 (49.15) | 9 (229.0) | Threaded | | | | | | | |
| | | | | 150# ANSI | 0.940 (23.88) | 7.500 (190.50) | 3sch40 | 4.620 (117.35) | 13.50 (342.9) | 4.00 (101.6) | 3sch80 |
| | | | | 300# ANSI | 1.125 (28.58) | 8.250 (209.55) | | 5.000 (127.00) | 13.50 (342.9) | 4.00 (101.6) | 3sch80 |
| | | | | 600# ANSI | 1.500 (38.10) | 8.250 (209.55) | | 5.380 (136.66) | 13.50 (342.9) | 4.00 (101.6) | 3sch80 |
| | | | | 900# ANSI | 2.000 (50.82) | 12.250 (311.15) | 4schXXH | 8.190 (208.03) | 13.44 (341.3) | 7.00 (177.8) | 3sch80 |
| | | | | 1500# ANSI | 2.375 (60.33) | 12.250 (311.15) | | 8.560 (217.43) | 13.81 (350.7) | 7.00 (177.8) | 3sch80 |
| | | | | 2500# ANSI | 3.250 (82.55) | 14.000 (355.60) | | 11.190 (284.23) | 17.32 (439.9) | 7.00 (177.8) | 3-1/2schXXS |
| | | | | DN/PN 16 | 0.787 (19.99) | 7.874 (200.00) | DN80 | 3.840 (97.54) | 13.50 (342.9) | 4.00 (101.6) | 3sch80 |
| | | | | DN/PN 40 | 0.945 (24.01) | 7.874 (200.00) | | 4.160 (105.67) | 13.50 (342.9) | 4.00 (101.6) | 3sch80 |
| | | | | DN/PN 100 | 1.260 (32.01) | 9.055 (230.00) | | 4.950 (125.73) | 13.50 (342.9) | 4.00 (101.6) | 3sch80 |
| | | | | 150# RTJ | 1.130 (28.71) | 7.500 (190.50) | 3sch40 | 4.810 (122.18) | 13.50 (342.9) | 4.00 (101.6) | 3sch80 |
| | | | | 300# RTJ | 1.372 (34.85) | 8.250 (209.55) | | 5.250 (133.35) | 13.50 (342.9) | 4.00 (101.6) | 3sch80 |
| | | | | 600# RTJ | 1.562 (39.68) | 8.250 (209.55) | | 5.690 (144.53) | 13.50 (342.9) | 4.00 (101.6) | 3sch80 |
| | | | | 900# RTJ | 2.063 (52.40) | 12.250 (311.15) | 4schXXH | 8.250 (209.55) | 13.56 (344.4) | 7.00 (177.8) | 3sch80 |
| | | | | 1500# RTJ | 2.432 (61.78) | 12.250 (311.15) | | 8.630 (219.21) | 13.94 (354.0) | 7.00 (177.8) | 3sch80 |
| | | | | 2500# RTJ | 3.438 (87.33) | 14.000 (355.60) | | 11.380 (289.06) | 17.69 (449.5) | 7.00 (177.8) | 3-1/2schXXS |

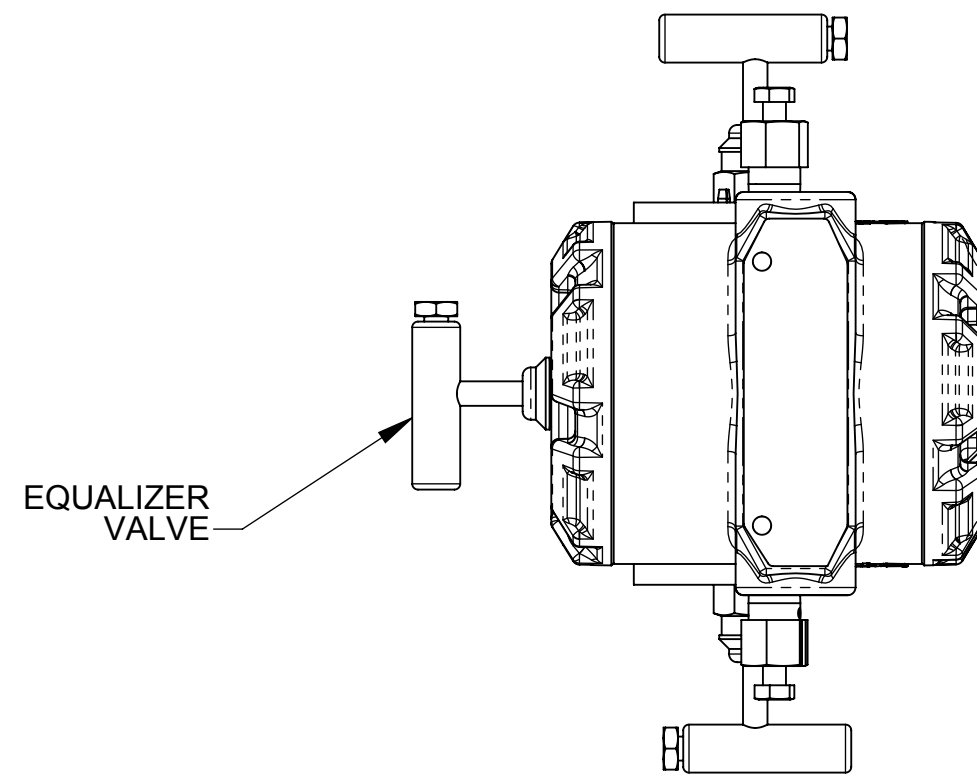
NOTES:

- ROSEMOUNT INC. CERTIFIES THIS DRAWING IS IN ACCORDANCE WITH ROSEMOUNT ENGINEERING SPECIFICATIONS AND ACCURATELY REPRESENTS THE EQUIPMENT FURNISHED.
- ALL ORIENTATIONS SHOWN FOR REFERENCE ONLY. FOR ACTUAL RECOMMENDED LOCATIONS AND ORIENTATIONS REFER TO INSTALLATION INSTRUCTION MANUAL 00809-0100-4809, QUICK INSTALLATION GUIDE (QIG) 00825-0100-4809.
- FIELD WELD. REFER TO INSTALLATION INSTRUCTIONS FOR WELD REQUIREMENTS.
- MAXIMUM PRESSURE: 2500# ANSI EQUIVALENT (6,000 PSIG AT 100°F/ 41368.54Kps AT 37.8°C) FOR 316SS.
- MAX TEMPERATURE: 500°F (260°C) FOR INTEGRAL TRANSMITTER MOUNTING
850°F (454.4°C) FOR STAINLESS STEEL REMOTE TRANSMITTER MOUNTING
1250°F 676.7°C) FOR HASTELLOY REMOTE TRANSMITTER MOUNTING
- FOR MODEL SELECTIONS, REFER TO ROSEMOUNT PRODUCT DATA SHEETS.

| | | |
|-------------------|----------|----------------------------------|
| ROSEMOUNT® | | |
| BOULDER, COLORADO | | |
| SIZE A | FSCM.NO. | DRAWING NO. 00485-1015 |
| SCALE: NONE | WT. | SHEET 2 OF 5 |



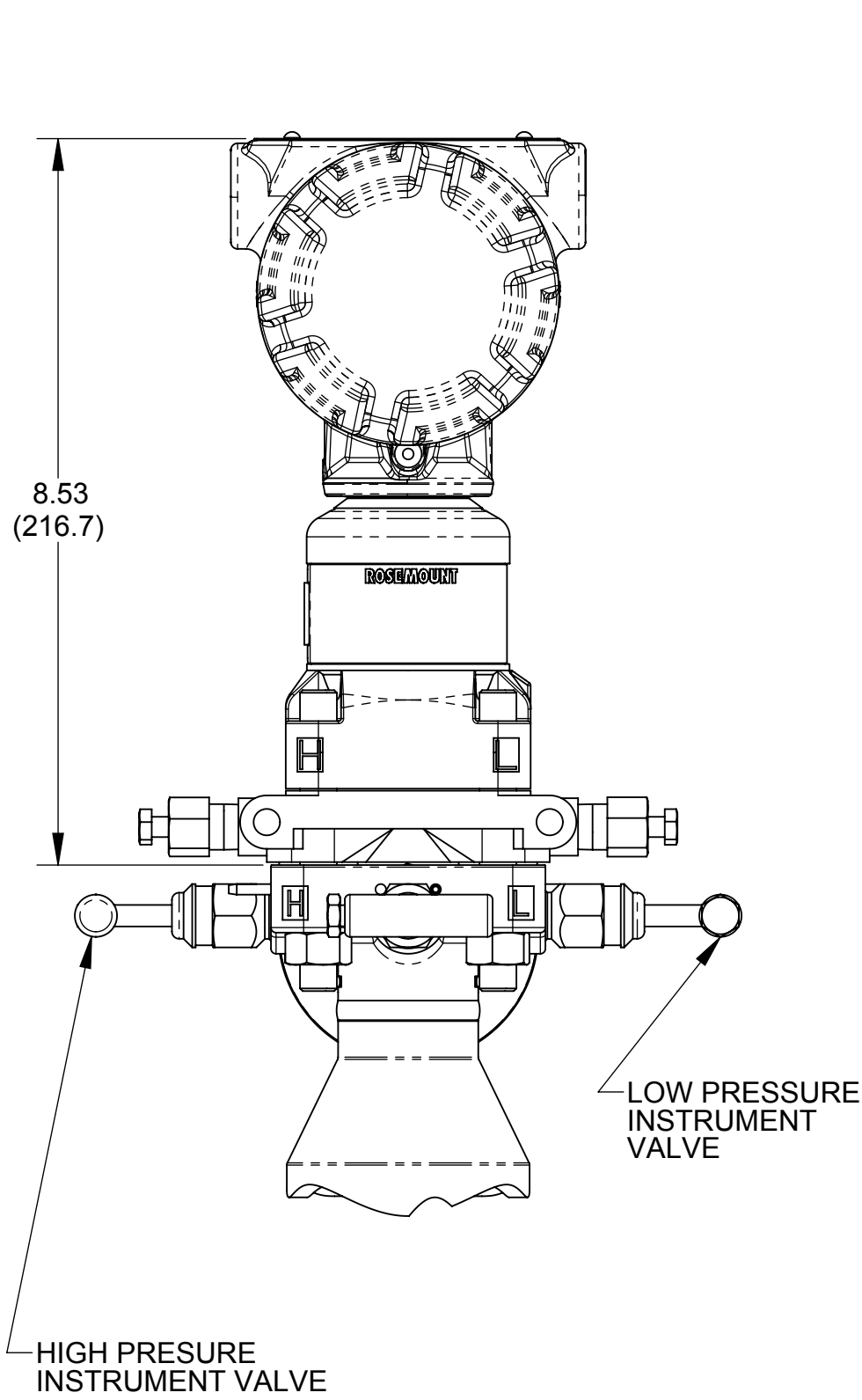
3051S TRANSMITTER



EQUALIZER VALVE

3051SFA, STD HARDWARE

| FLOWMETER | HEIGHT | WIDTH | TEMP WIDTH |
|-----------|-----------------|-----------------|------------------|
| 2051CFA | 7.03 [178,5] | 5.50 [139,7] | 10.09 [256,3] |
| 3051CFA | 7.1 (181) | 5.67 [144,0] | |
| 3051SFA | 8.53 (216.7) | 5.67 [144,0] | |
| 3095MFA | 7.1 (181) | 5.67 [144,0] | |

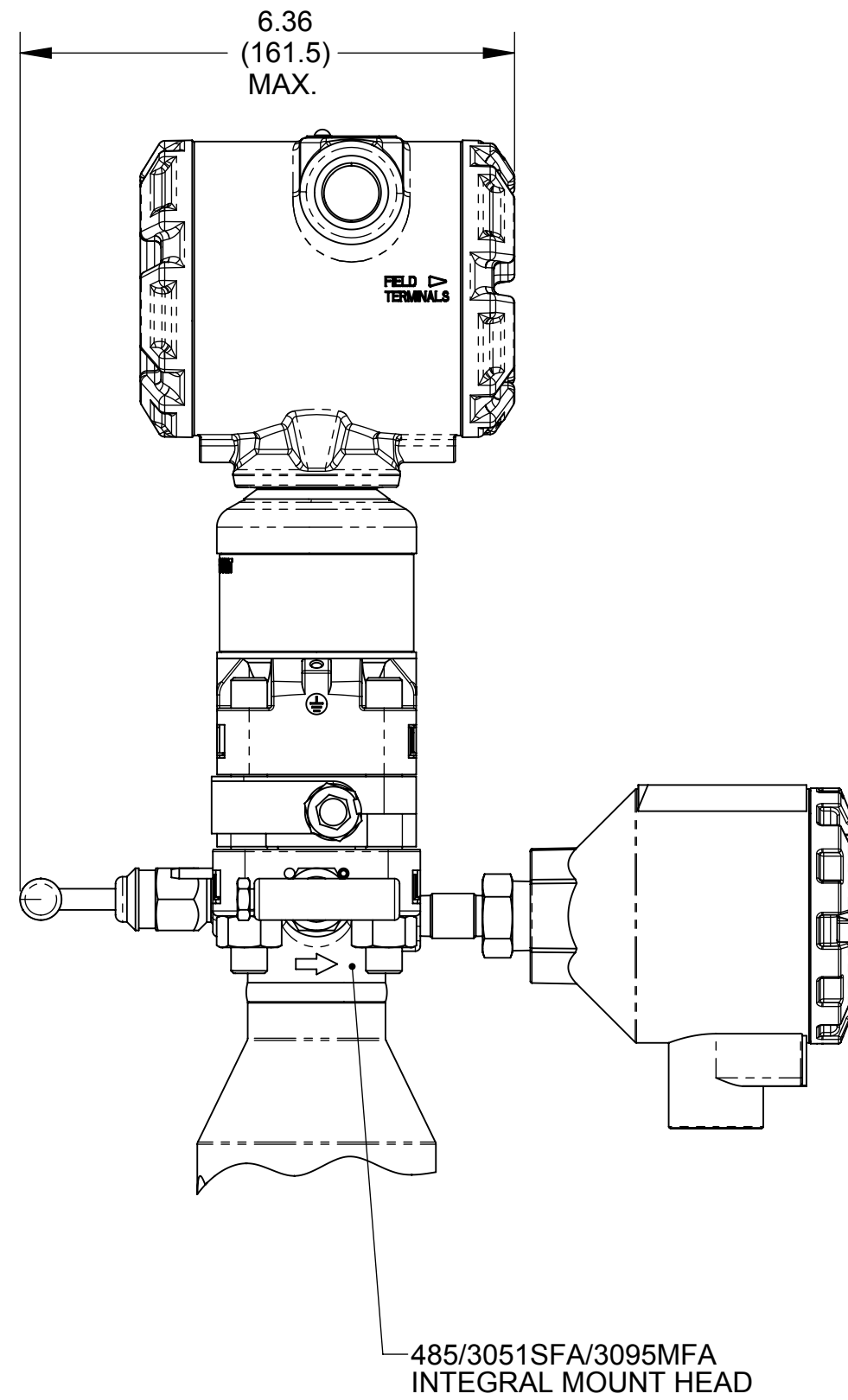


8.53
(216.7)

HIGH PRESURE INSTRUMENT VALVE

LOW PRESSURE INSTRUMENT VALVE

3051SFA SHOWN



6.36
(161.5)
MAX.

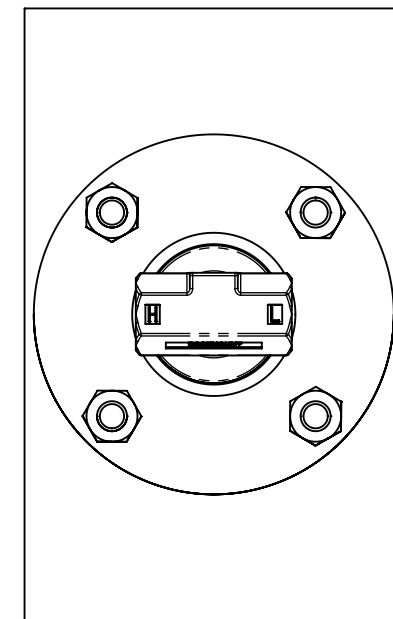
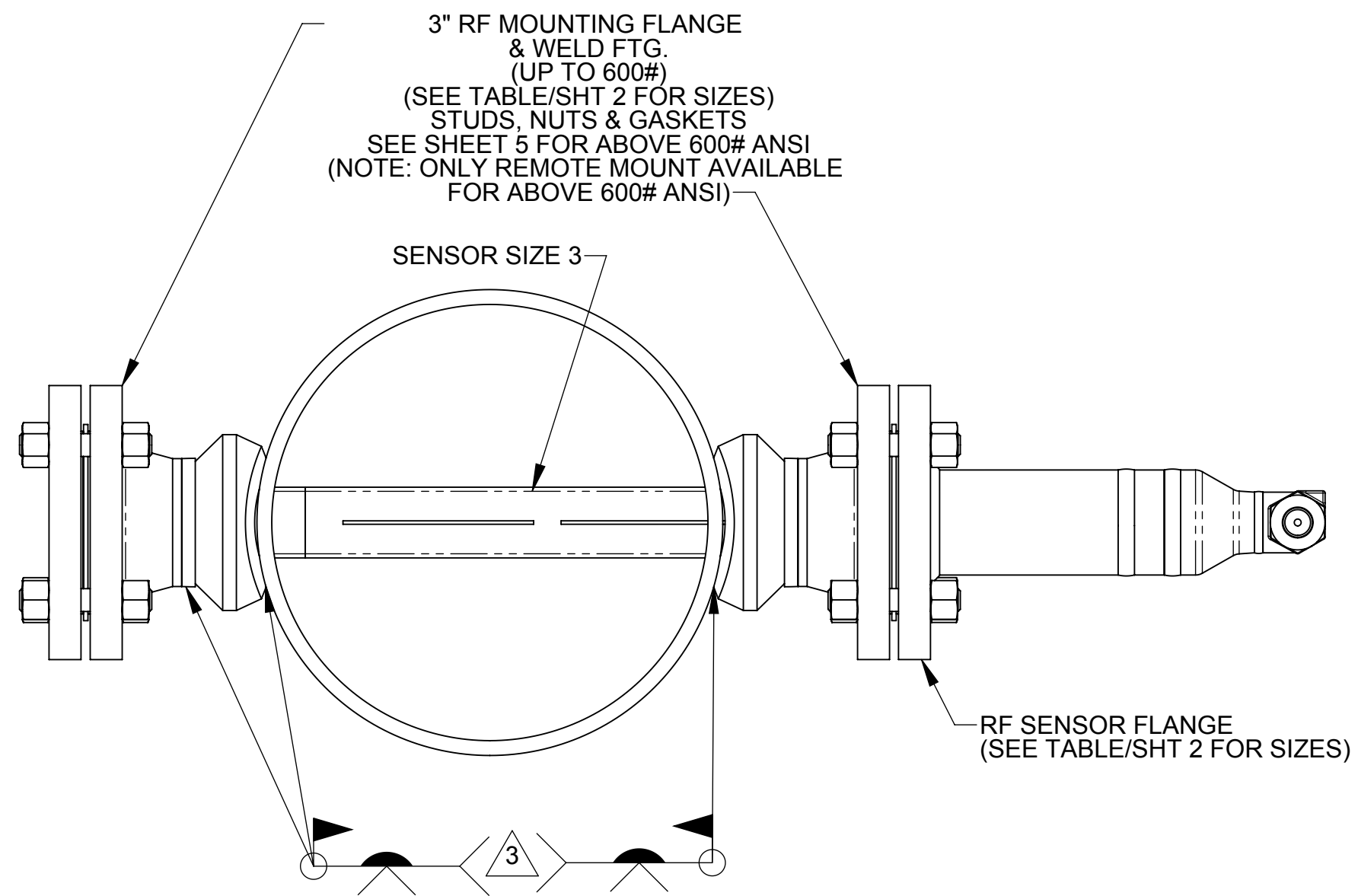
485/3051SFA/3095MFA INTEGRAL MOUNT HEAD

ROSEMOUNT®

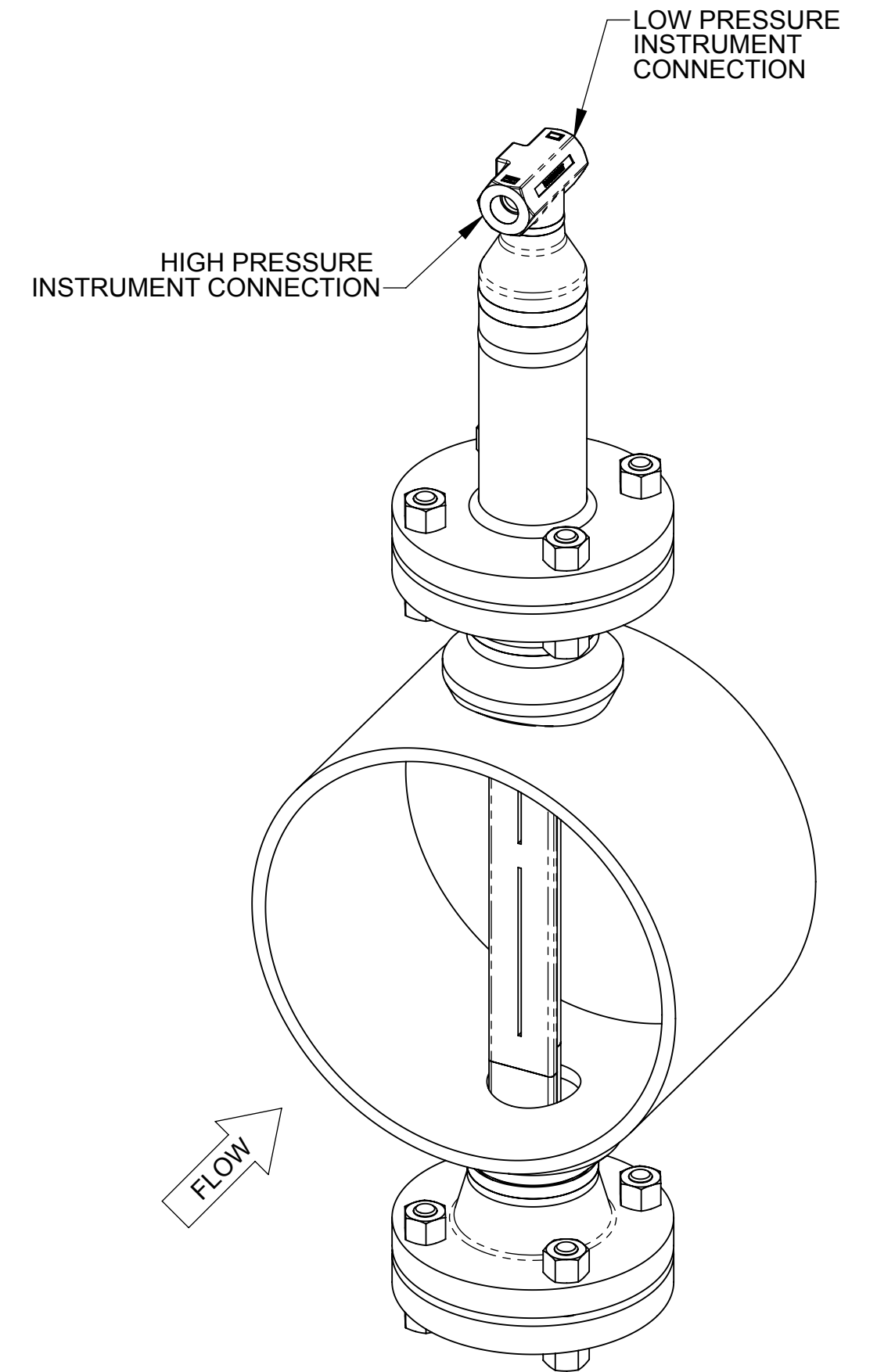
BOULDER, COLORADO

| | | |
|-----------|----------|----------------------------------|
| SIZE A | FSCM.NO. | DRAWING NO. 00485-1015 |
|-----------|----------|----------------------------------|

| | | |
|-------------|-----|--------------|
| SCALE: NONE | WT. | SHEET 3 OF 5 |
|-------------|-----|--------------|

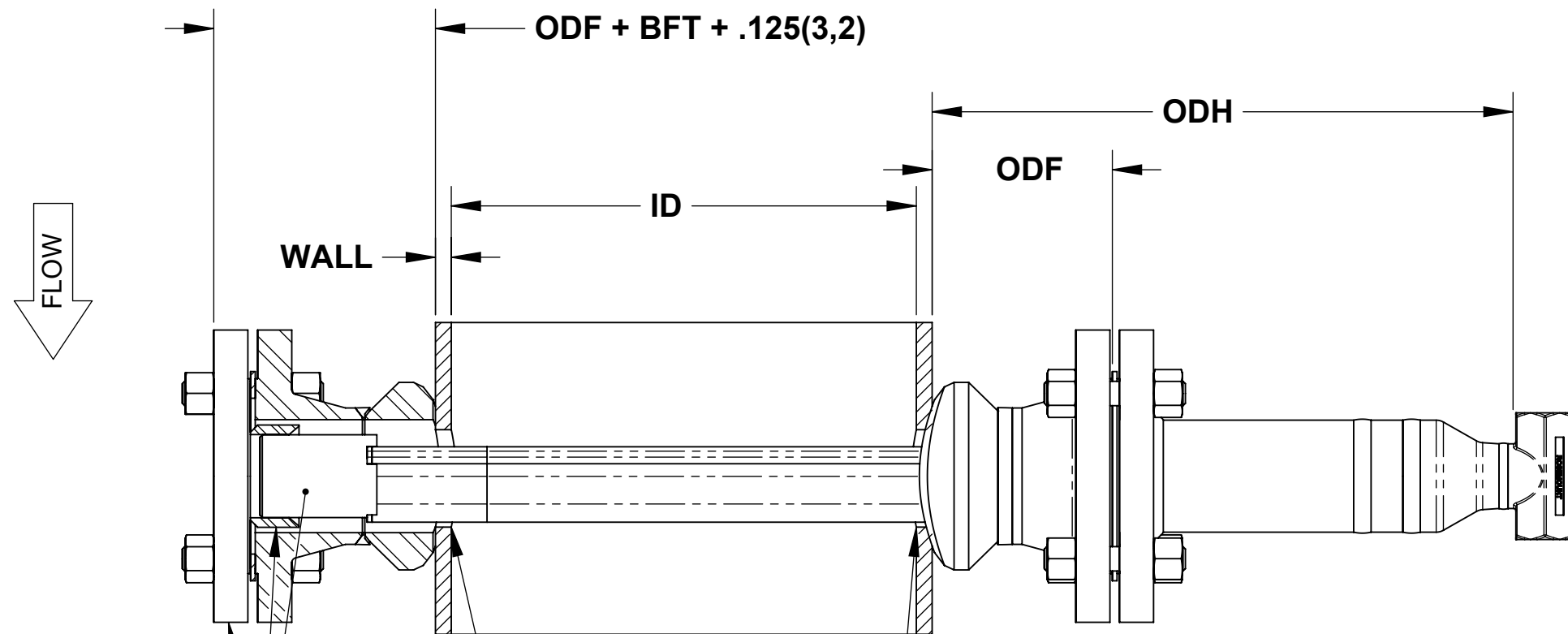


AVAILABLE IN SW & NPT CONNECTIONS



**REMOTE MOUNT
 FLANGED
 OPPOSITE SIDE SUPPORT**

ALSO AVAILABLE FOR HIGH PRESSURE APPLICATIONS (SEE SHEET 5)
 (150# THRU 600# ANSI SHOWN)

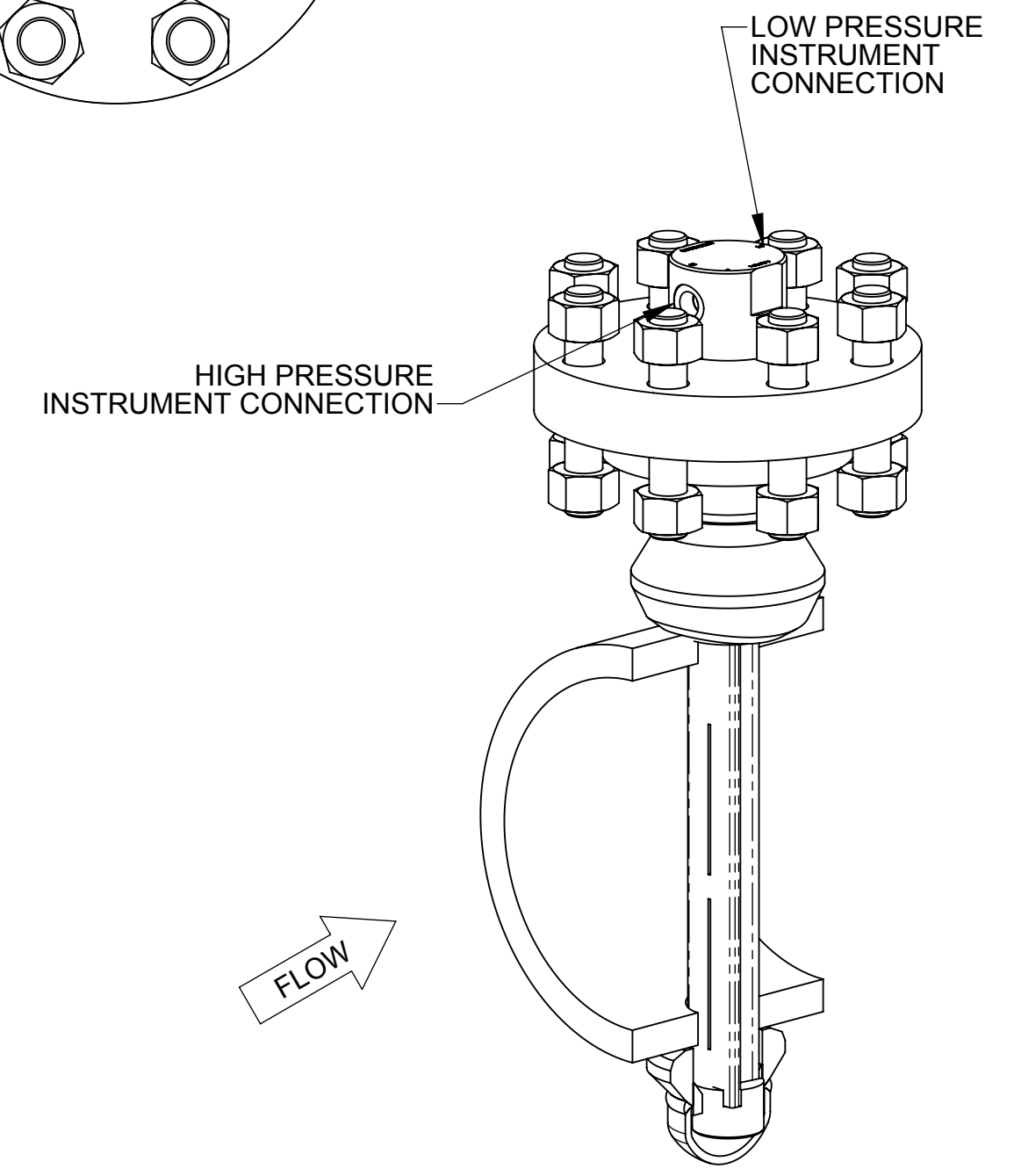
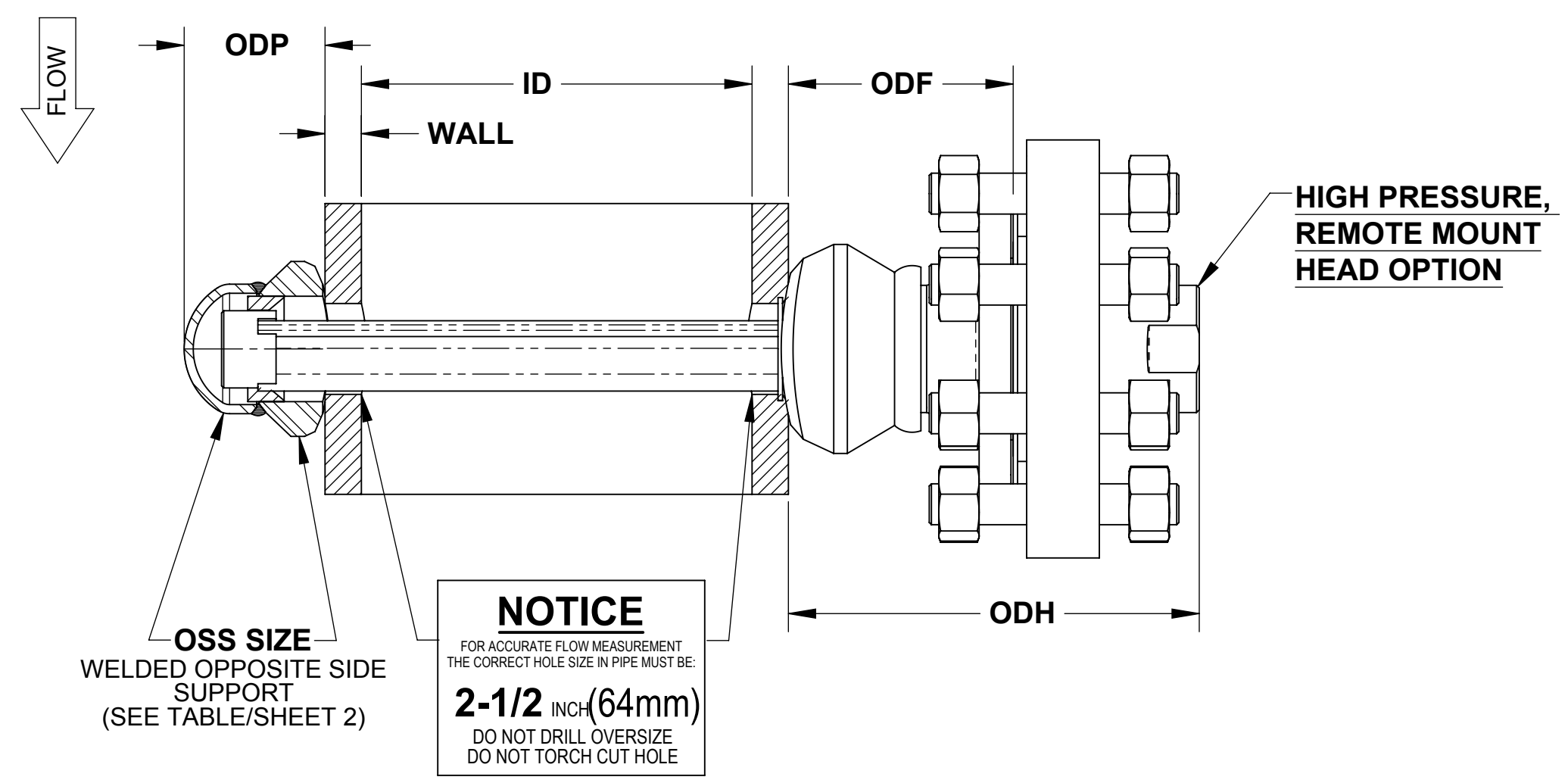
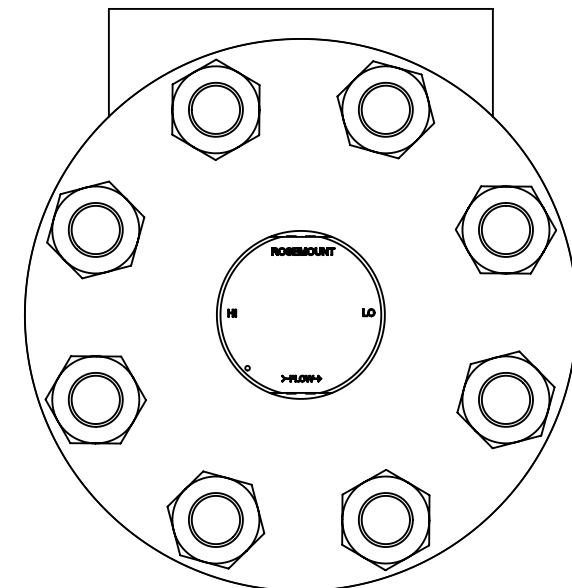
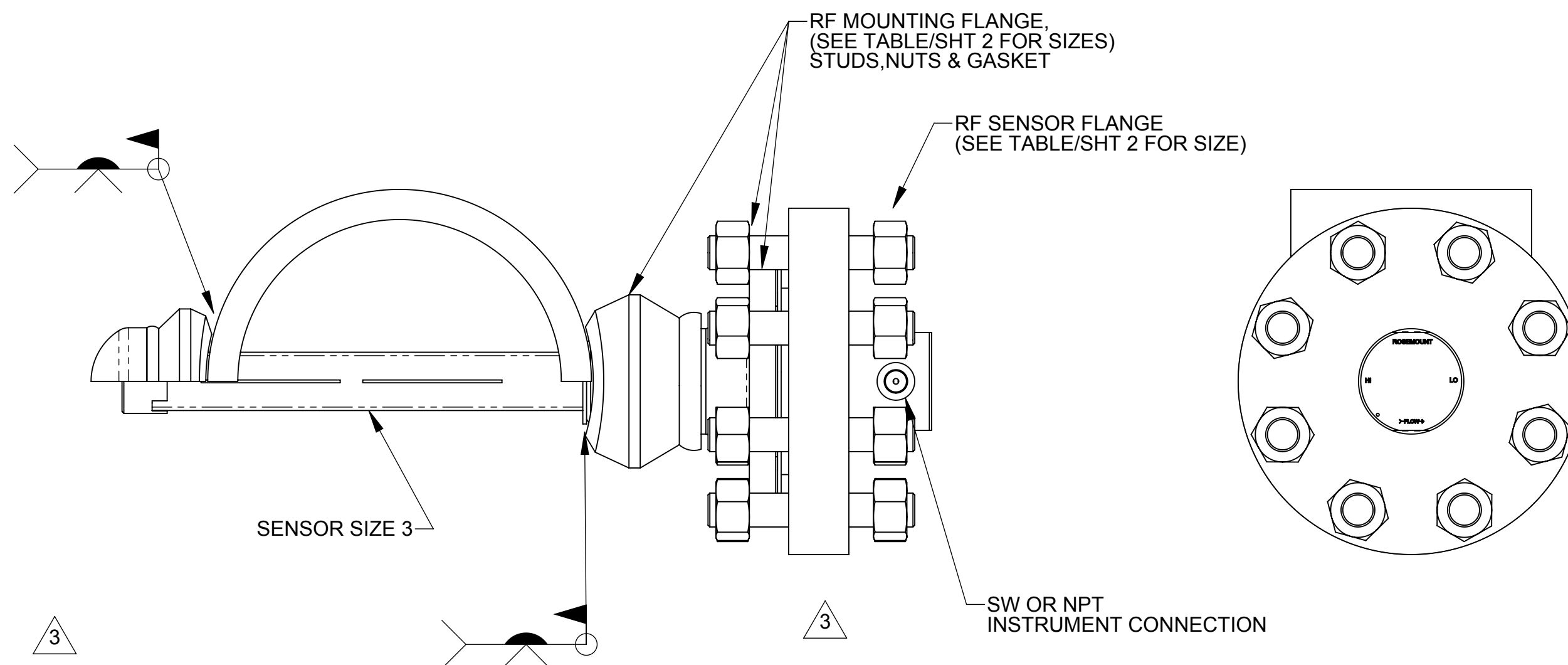


REMOTE MOUNT HEAD OPTION

FLANGED OPPOSITE SIDE SUPPORT ASSY.

NOTICE
 FOR ACCURATE FLOW MEASUREMENT THE CORRECT HOLE SIZE IN PIPE MUST BE:
2-1/2 INCH (64mm)
 DO NOT DRILL OVERSIZE
 DO NOT TORCH CUT HOLE

| | | | |
|-------------------|----------|--------------|------------|
| ROSEMOUNT® | | | |
| BOULDER, COLORADO | | | |
| SIZE A | FSCM.NO. | DRAWING NO. | 00485-1015 |
| SCALE: NONE | WT. | SHEET 4 OF 5 | |



HI-PRESSURE REMOTE MOUNT WITH OPPOSITE SIDE SUPPORT
(900# & ABOVE ANSI SHOWN)

| | | |
|-------------------|----------|----------------------------------|
| ROSEMOUNT® | | |
| BOULDER, COLORADO | | |
| SIZE A | FSCM.NO. | DRAWING NO. 00485-1015 |
| SCALE: NONE | WT. | SHEET 5 OF 5 |