

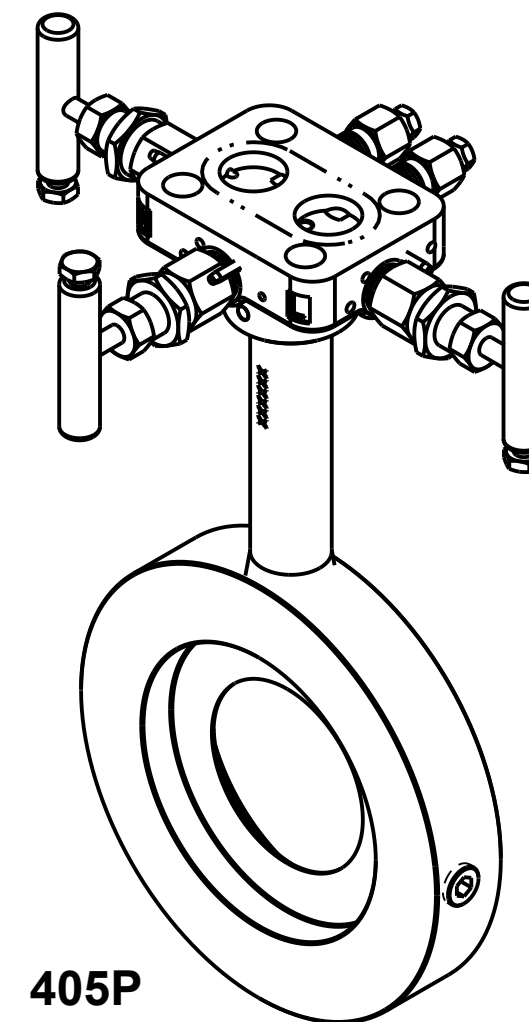
TABLE 1: DIMENSIONAL & FLANGE RATINGS  
(SEE NOTES 9 & 10)

FLANGE SIZE ANSI/DN	Ø B	FLANGE RATING								
		150# ANSI	300# ANSI	600# ANSI	DIN PN16	DIN PN40	DIN PN100	JIS 10K	JIS 20K	JIS 40K
		THREAD SIZE / (QTY) / STUD LENGTH (NOTE: DIN & JIS LENGTHS GIVEN IN mm)								
1/2" DN15	1.38 [35]	1/2-13 (4) 4.50	1/2-13 (4) 4.75	1/2-13 (4) 5.25	M12 (4) 118	M12 (4) 130	M12 (4) 145	M12 (4) 120	M12 (4) 120	M16 (4) 140
1" DN25	2.00 [51]	1/2-13 (4) 4.50	5/8-11 (4) 5.25	5/8-11 (4) 5.75	M12 (4) 120	M12 (4) 135	M16 (4) 165	M16 (4) 130	M16 (4) 140	M16 (4) 140
1-1/2" DN40	2.88 [73]	1/2-13 (4) 5.00	3/4-10 (4) 5.75	3/4-10 (4) 6.50	M16 (4) 120	M16 (4) 135	M20 (4) 175	M16 (4) 130	M16 (4) 150	M20 (4) 150
2" DN50	3.62 [92]	5/8-11 (4) 5.50	5/8-11 (8) 5.75	5/8-11 (8) 6.50	M16 (4) 140	M16 (4) 145	M24 (4) 180	M16 (4) 130	M16 (8) 150	M16 (8) 150
3" DN80	5.00 [127]	5/8-11 (4) 5.75	3/4-10 (8) 6.50	3/4-10 (8) 7.25	M16 (8) 150	M16 (8) 165	M24 (8) 185	M16 (8) 140	M20 (8) 170	M20 (8) 170
4" DN100	6.19 [157]	5/8-11 (8) 5.75	3/4-10 (8) 6.75	7/8-9 (8) 8.00	M16 (8) 150	M20 (8) 165	M27 (8) 200	M16 (8) 150	M20 (8) 170	M22 (8) 180
5" DN125	7.31 [186]	3/4-10 (8) 6.50	3/4-10 (8) 7.50	1-8 (8) 9.5	M20 (8) 155	M24 (8) 185	M30 (12) 240	M20 (8) 170	M22 (8) 180	M24 (8) 190
6" DN150	8.50 [216]	3/4-10 (8) 6.50	3/4-10 (12) 7.50	1-8 (12) 9.50	M20 (8) 155	M24 (8) 185	M30 (12) 240	M20 (8) 170	M22 (12) 180	M30 (12) 210
8" DN200	10.62 [270]	3/4-10 (8) 6.75	7/8-9 (12) 8.25	1-1/8-7 (12) 10.25	M12 (12) 160	M27 (12) 305	M33 (12) 265	M20 (12) 170	M22 (12) 180	M30 (12) 230
10" DN250	12.75 [324]	7/8-9 (12) 7.00	1-8 (16) 8.25	1-1/4-8 (16) 10.5	M24 (12) 170	M30 (12) 210	M36 (12) 270	M22 (12) 180	M24 (12) 200	M30 (12) 240
12" DN300	15.00 [381]	7/8-9 (12) 7.00	1-1/8-8 (16) 9.00	1-1/4/8 (20) 11.00	M24 (12) 180	M30 (16) 240	M39 (16) 280	M22 (16) 180	M24 (16) 200	M36 (16) 260

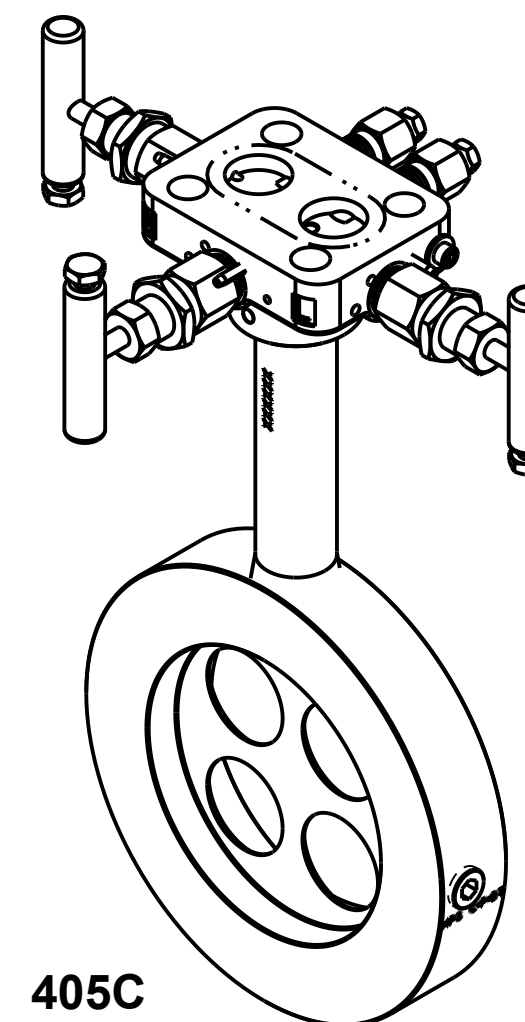
REVISION TABLE			
REVISION	ECO NO.	APP'D	DATE
AS	DS11056667	DK	06/21/21
DESCRIPTION			
REMOVED COPLAINER FLANGE ON XFC MODELS AS NOT USED			

NOTES:

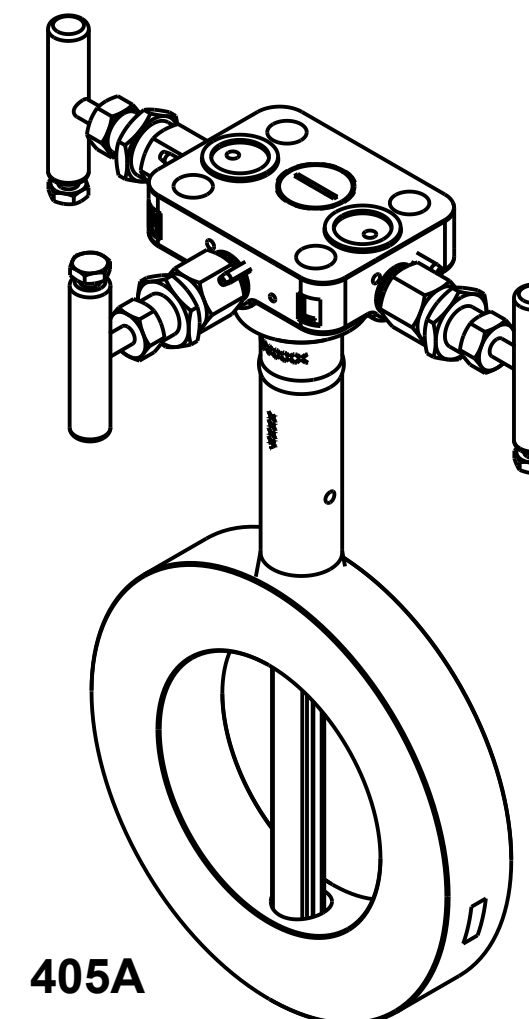
- ROSEMOUNT INC. CERTIFIES THIS DRAWING IS IN ACCORDANCE WITH ENGINEERING SPECIFICATIONS AND ACCURATELY REPRESENTS THE EQUIPMENT FURNISHED.
- SENSOR ORIENTATION SHOWN FOR DETAIL ONLY. FOR ACTUAL RECOMMENDED LOCATION AND ORIENTATION REFER TO INSTALLATION MANUAL 00809-0100-4810.
- FOR MODEL SELECTIONS, REFER TO ROSEMOUNT PRODUCT DATA SHEET 00813-0100-4810.
- 405 TEMPERATURE LIMITS ARE -40° F TO 450° F FOR DIRECT MOUNT 3 VALVE MANIFOLD, -148° F TO 850° F FOR REMOTE MOUNT WITH GRAPHOIL VALVE PACKING.
- MATERIALS: 316/316L STAINLESS STEEL.
- ORIFICE BORE HAS SQUARE EDGE. 405C/P ONLY.
- 405 RATED TO 600# ANSI/PN100 316SST.
- REMOTE MOUNT 3-VALVE MANIFOLD WITH ADAPTER PLATE AND 1/2" NPT FLANGE ADAPTERS: ADAPTERS CAN BE ROTATED TO GIVE CONNECTIONS CENTERS OF 2.00 (51), 2.13 (54) OR 2.25 (57).
- ASSEMBLY OF 405 TO FLANGE PIPE SECTION: ALIGNMENT RING WILL HAVE ETCHED FLANGE SIZE TO BE INDEXED WITH STUDS TO INSURE PROPER ALIGNMENT OF 405 TO PIPE ID.
- STUDS, NUTS AND GASKETS NOT INCLUDED WITH 405. CORRECT STUD SIZE PER TABLE 1 IS CRITICAL FOR PROPER ALIGNMENT. RECOMMENDED GASKET: 1/8" MAX THICKNESS WITH APPROPRIATE MATERIAL FOR APPLICATION CONDITIONS.
- FOR OPTIMUM PERFORMANCE, ORIENTATION AND FLOW DIRECTION IS AS FOLLOWS:  
 GAS: DIRECT MOUNT OR REMOTE MOUNT OPTIONS ARE ACCEPTABLE IN HORIZONTAL OR DOWNWARD FLOW IN A VERTICAL LINE.  
  
 LIQUID: DIRECT MOUNT OR REMOTE MOUNT OPTIONS ARE ACCEPTABLE IN A HORIZONTAL OR UPWARD FLOWING VERTICAL LINE. IT IS NOT RECOMMENDED FOR USE IN A DOWNWARD FLOWING VERTICAL LINE.  
  
 STEAM: REMOTE MOUNTING OPTION IS ACCEPTABLE IN A HORIZONTAL OR UPWARD FLOWING VERTICAL LINE. DIRECT MOUNTING OPTION IS RECOMMENDED ONLY IN A HORIZONTAL LINE. IT IS NOT RECOMMENDED FOR USE IN A DOWNWARD FLOWING LINE.
- SPECIAL CLEANING IS NOT AVAILABLE WITH HIGH TEMPERATURE OPTION ON 405C/P OR ANY 405A.




405P



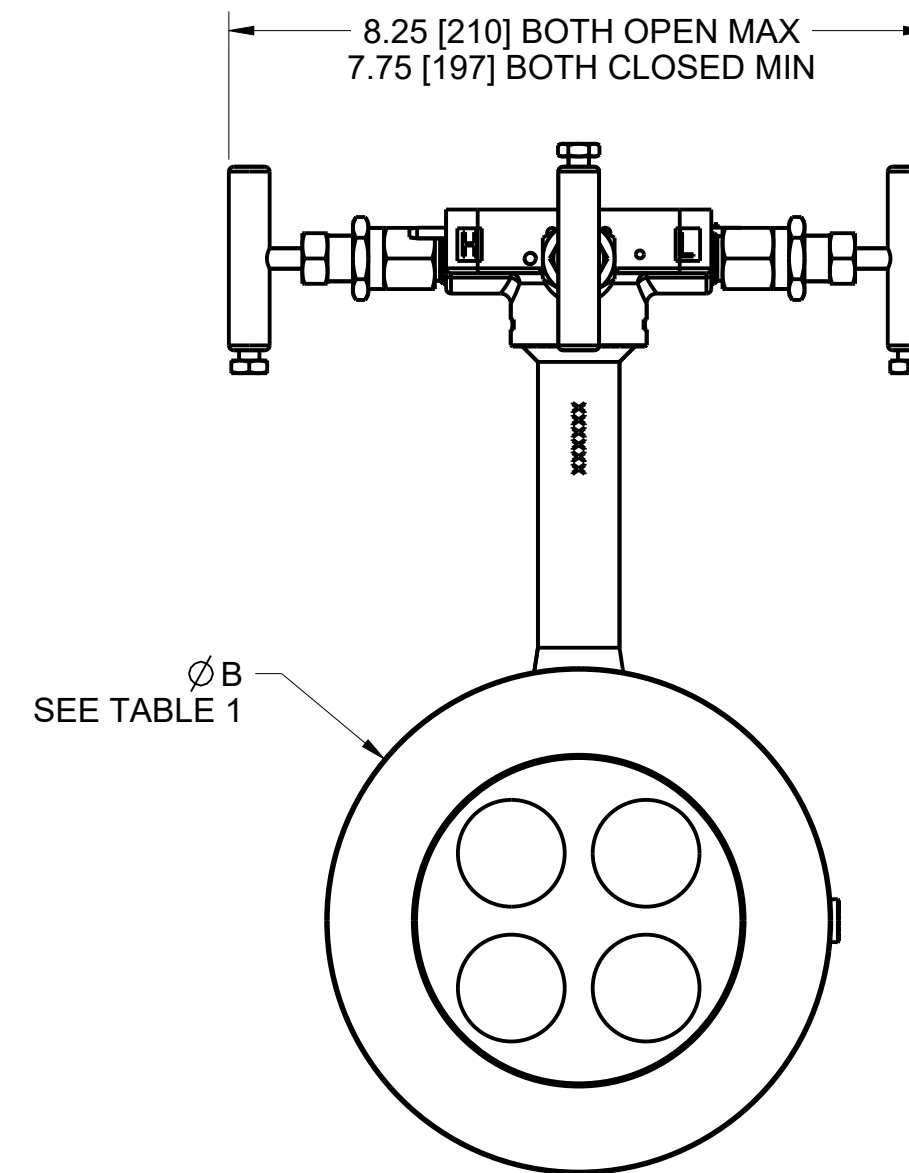
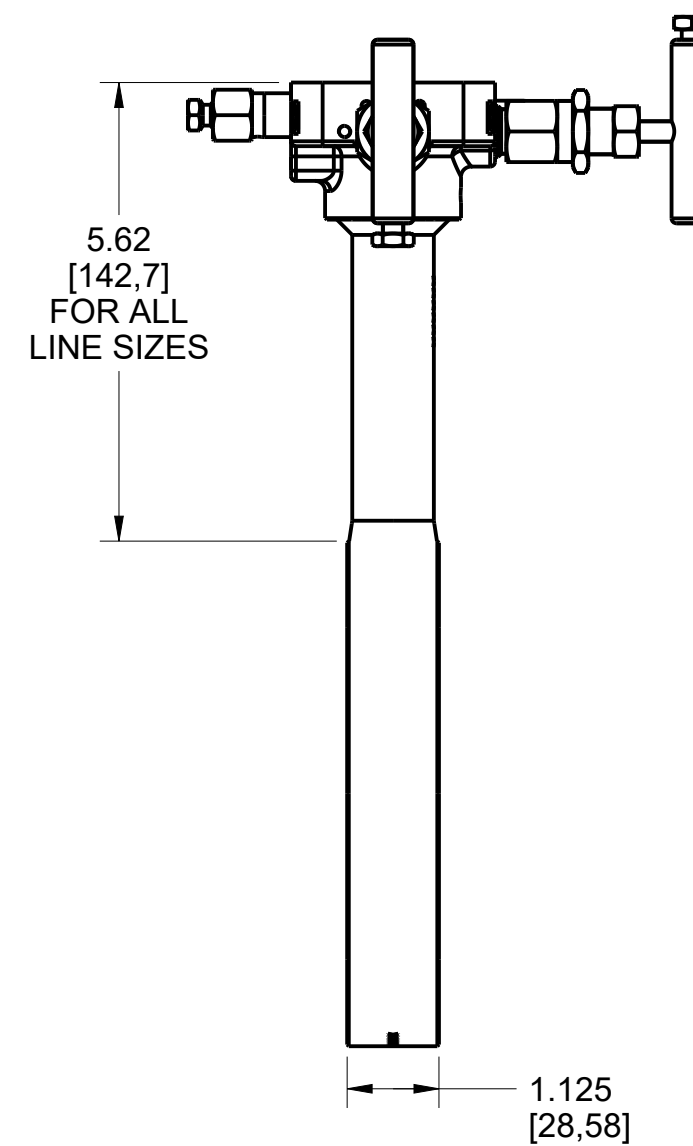
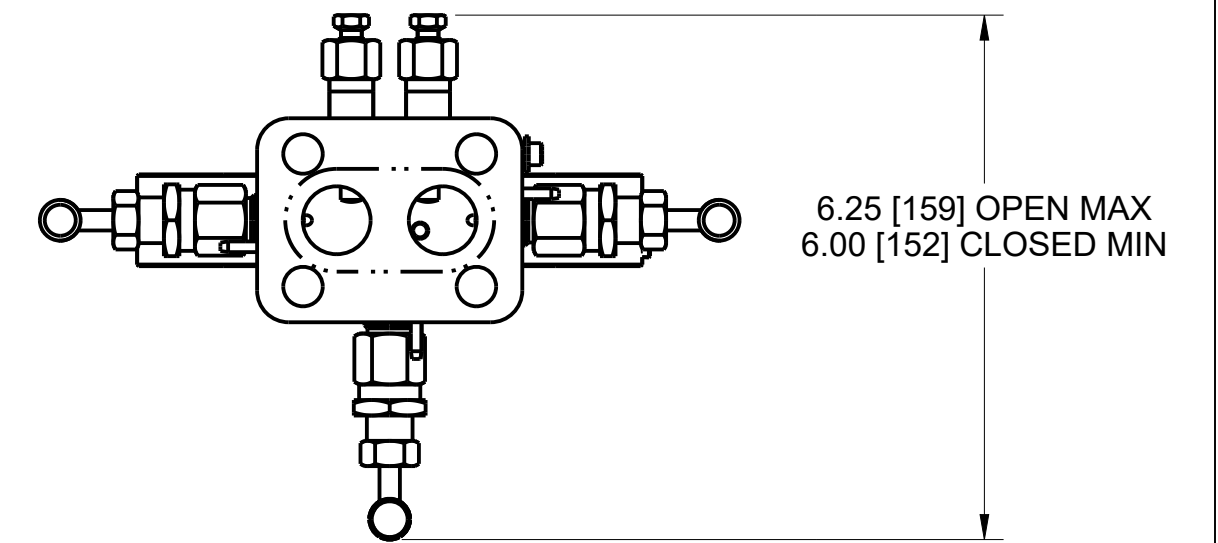
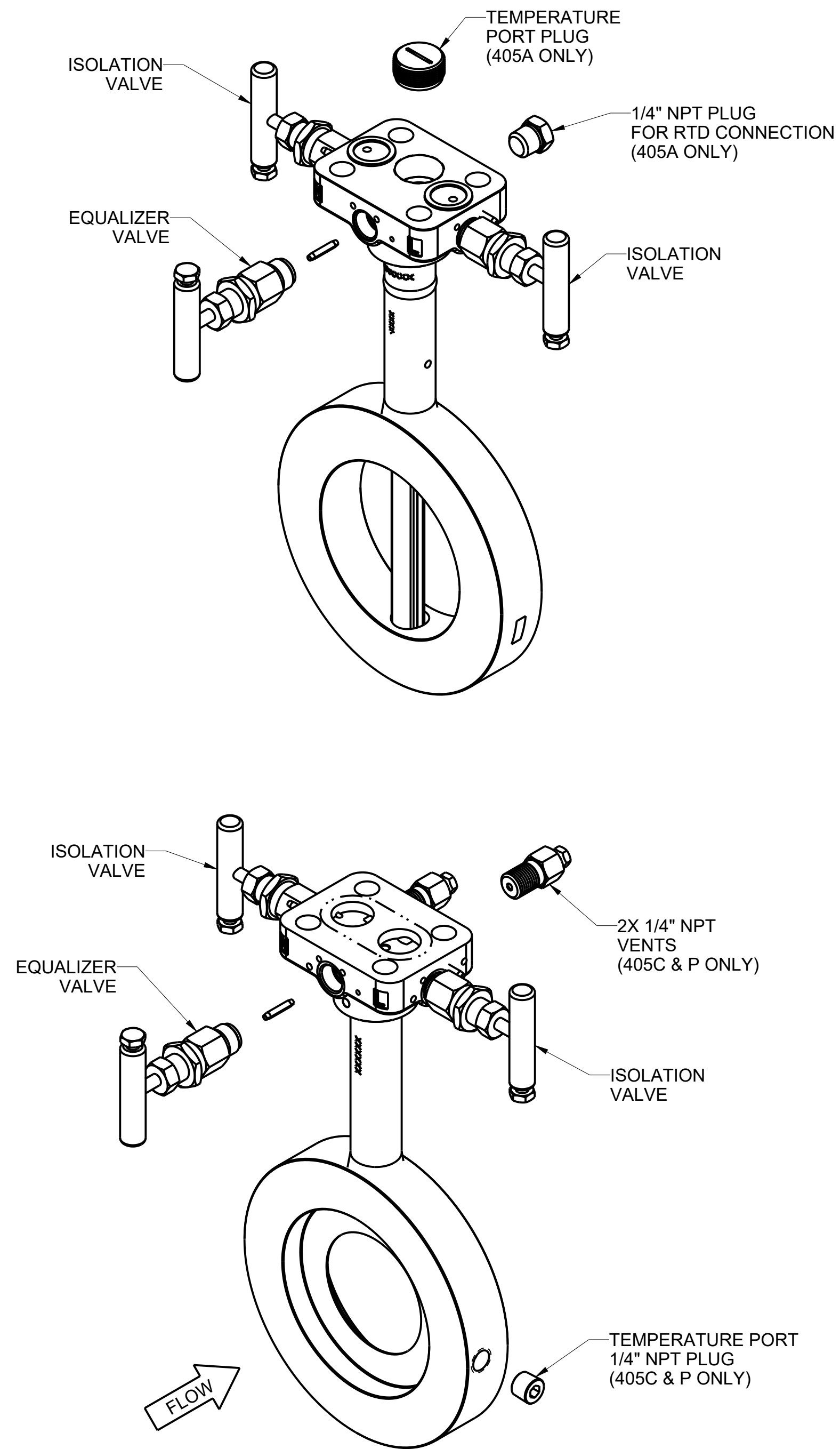
405C



405A

*UNLESS OTHERWISE SPECIFIED DIMENSIONS IN INCHES (MM)		TYPE I		ROSEMOUNT BOULDER, COLORADO		
*ALL DIMENSIONS ARE NOMINAL AND ARE FOR REFERENCE ONLY		DR. P DEEGAN	12/13/11	TITLE		
		APPROVAL		DIMENSIONAL DRAWING MODEL 405		
		DRAWING	S IFFT	12/27/11	COMPACT FLOWMETER	
		TAGGING			SIZE	DRAWING NO.
		SPECIALS		C	00405-1001	
		SCALE : NONE		SHEET: 1 of 7		

# DP PRIMARY COMPONENTS



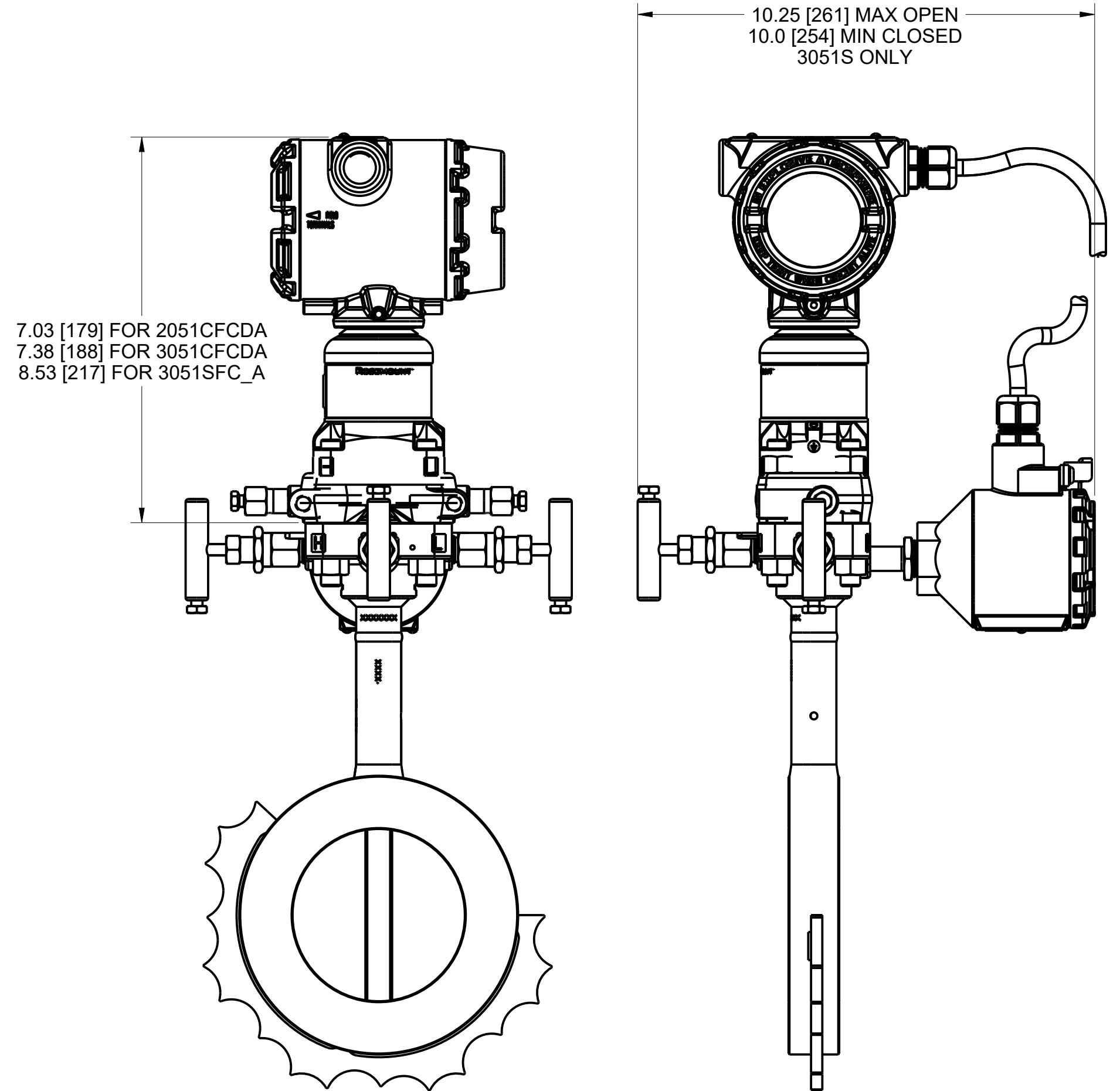
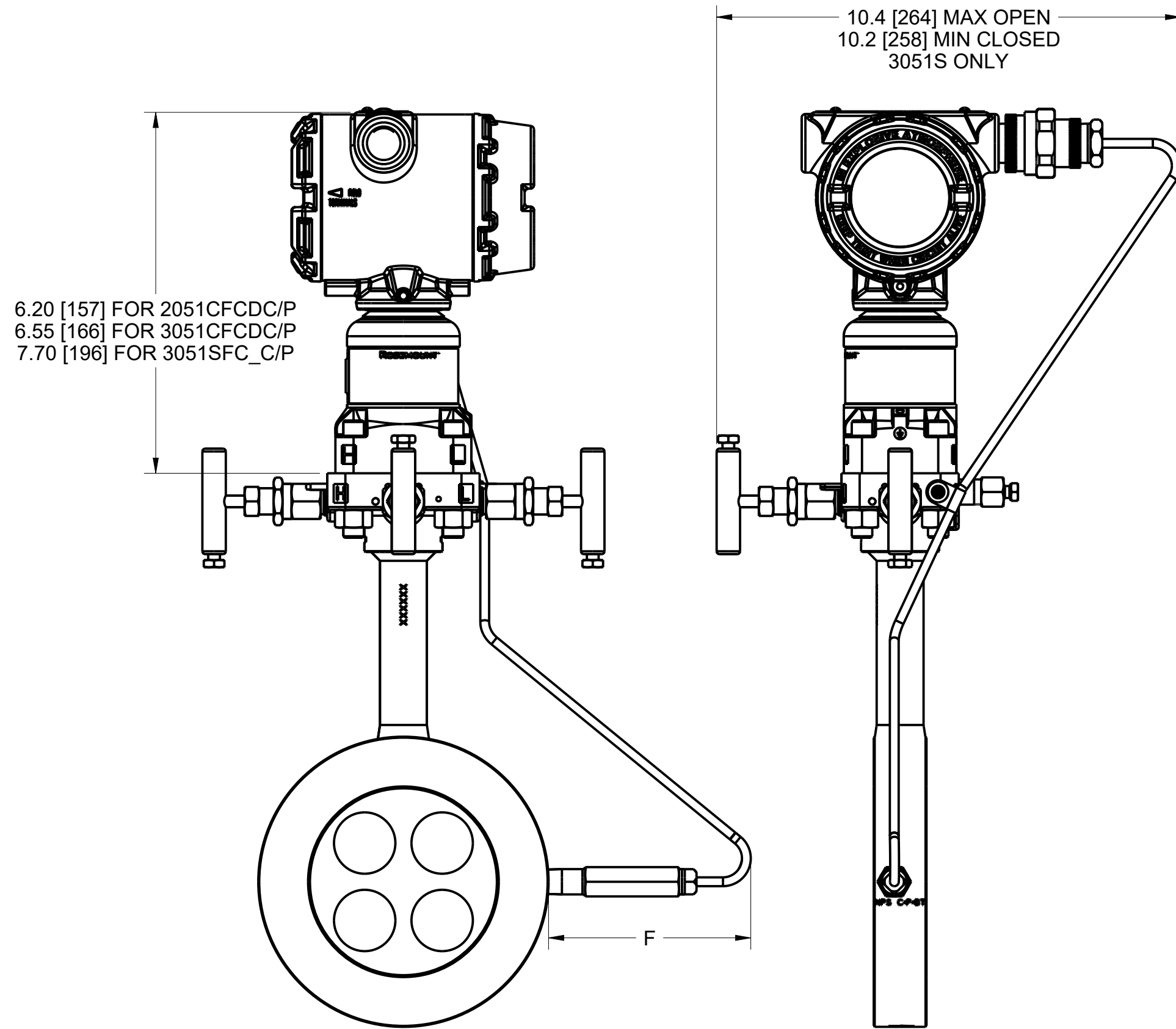
NOTE: DIMENSIONS ARE TYPICAL TO ALL TYPES OF 405 MODELS WITH STANDARD VALVES

NOTE: ALL INFORMATION TYPICAL TO ALL TYPES OF 405 MODELS UNLESS OTHERWISE NOTED

<b>ROSEMOUNT</b>		
BOULDER, COLORADO		
DR	P DEEGAN	12/13/11
APP'D	S IFFT	12/27/11

SIZE A	DRAWING NO. <b>00405-1001</b>
SCALE : NONE	SHEET: 2 of 7

# DIRECT MOUNT TYPE CONNECTION OPTIONS



3051SFC	
LINE SIZE	F IN(mm)
1/2"	5.3 (134)
1"	5.0 (127)
1-1/2"	4.5 (115)
2"	5.9 (150)
3"	5.2 (132)
4"	4.6 (116)
5"	7.2 (184)
6"	6.7 (171)
8"	5.8 (148)
10"	6.7 (170)
12"	5.7 (144)

**ROSEMOUNT**  
BOULDER, COLORADO

DR P DEEGAN 12/13/11  
APP'D S IFFT 12/27/11

SIZE  
A

SCALE : NONE

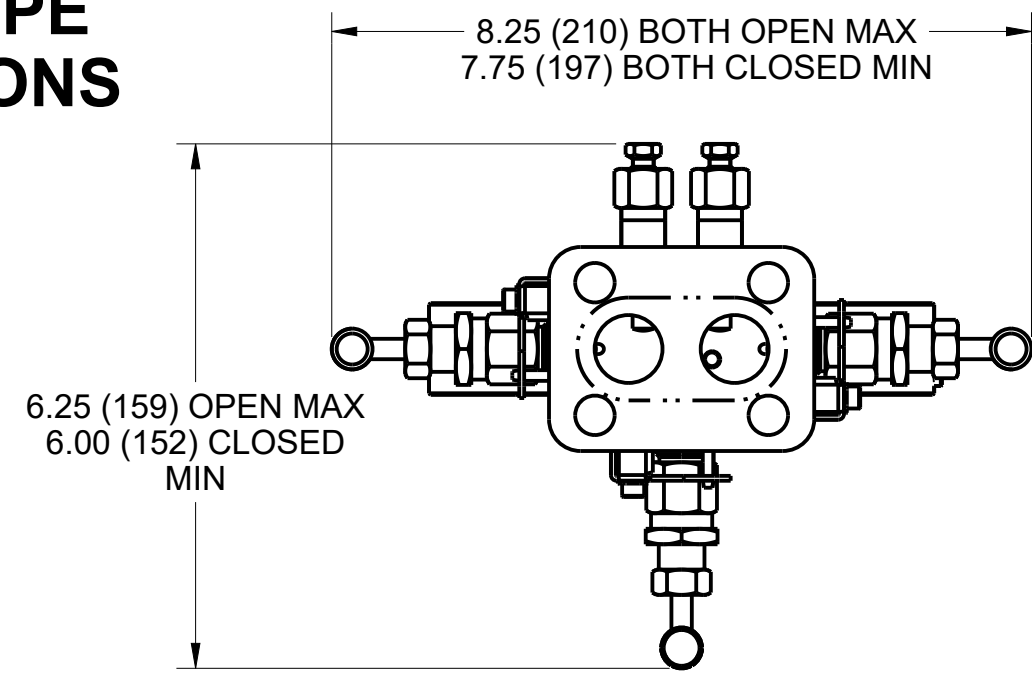
**EMERSON**

DRAWING NO.

00405-1001

SHEET: 3 of 7

# DIRECT MOUNT TYPE CONNECTION OPTIONS CONT'D



3X B31.X VALVE  
LOCK MECHANISM

3X B31.X GRAFOIL  
PACKING VALVE

**B31.1 & B31.3 (2010ed.)  
CODE CONFORMANCE  
VALVE OPTION (ALL)**

3051SMV  
TRANSMITTER  
SHOWN

3051SMV  
TRANSMITTER  
SHOWN

2X  
GASKETS

TEMPERATURE  
PROBE (RTD)

RTD  
CLAMP

2X  
GASKETS

TEMPERATURE  
HOUSING

TEMPERATURE  
PROBE (RTD)

4X  
STUDS

4X  
NUTS

.700  
[17,78]

2X  
GASKETS

COPLANAR/TRADITIONAL  
MOUNT ADAPTER PLATE

2X  
GASKETS

4X STUDS

4X NUTS

**A3 OPTION COPLANAR/TRADITIONAL  
MOUNT ADAPTER (405C/P)**

**D3 DIRECT MOUNT OPTION  
W/ TEMP (405C/P)**

**D3 DIRECT MOUNT OPTION  
W/ TEMP (405A)**

ALIGNMENT  
RING



**ROSEMOUNT**

BOULDER, COLORADO

DR P DEEGAN 12/13/11

APP'D S IFFT 12/27/11

SIZE  
A

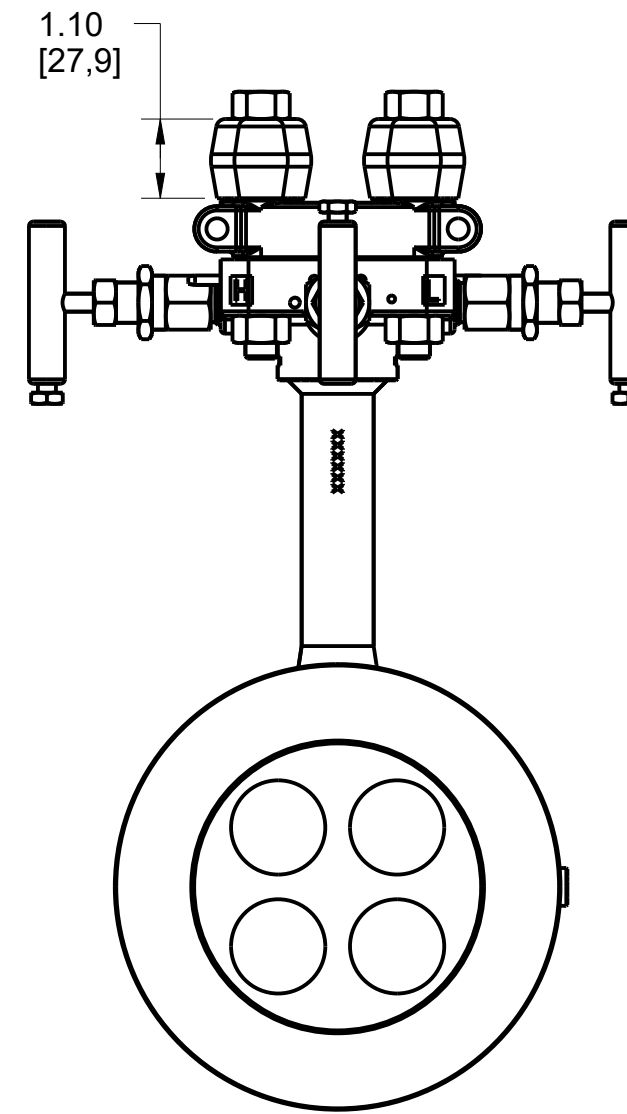
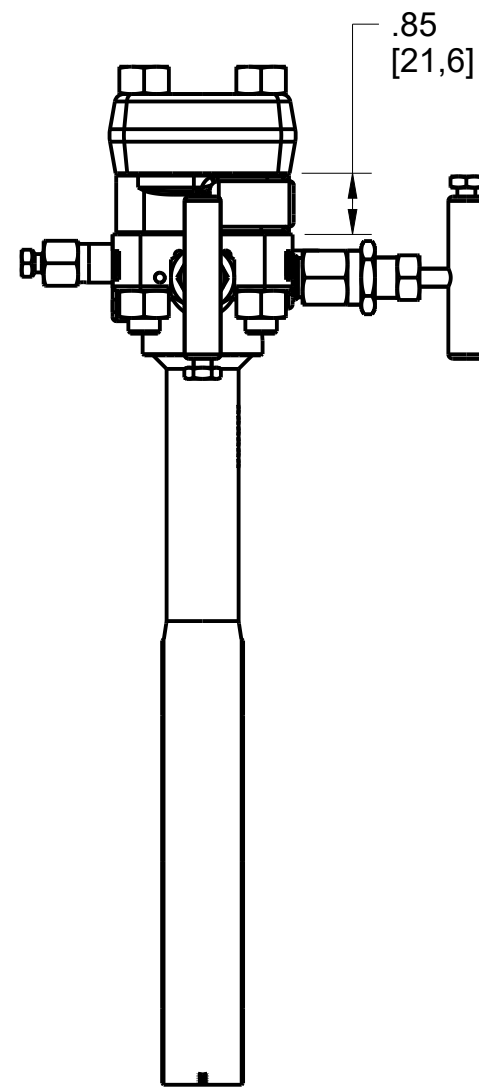
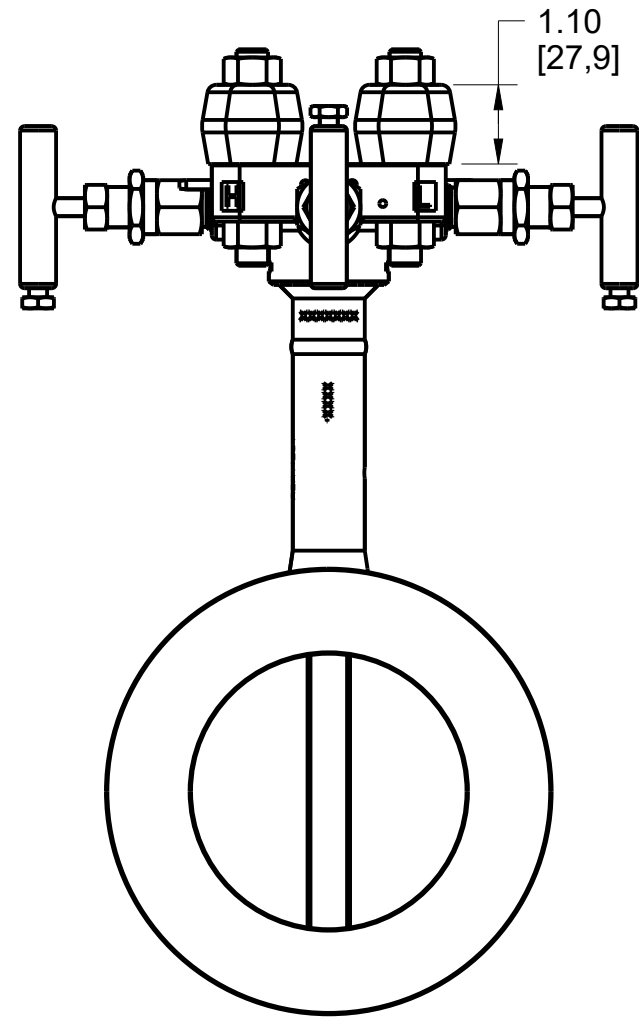
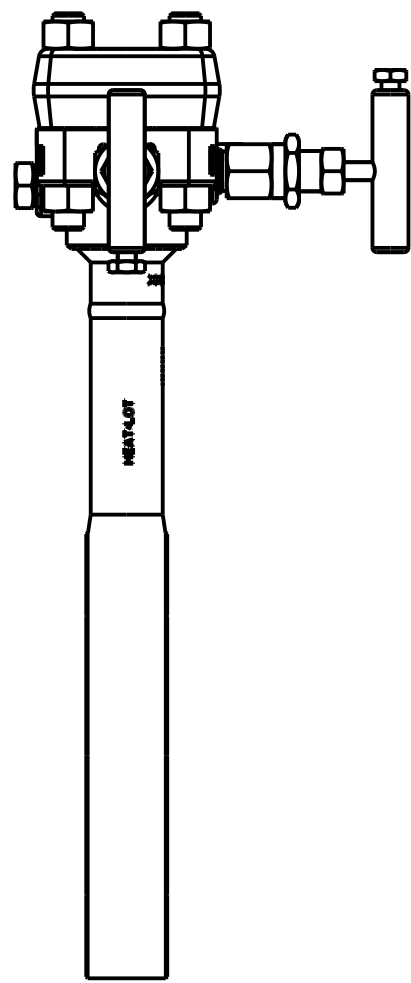
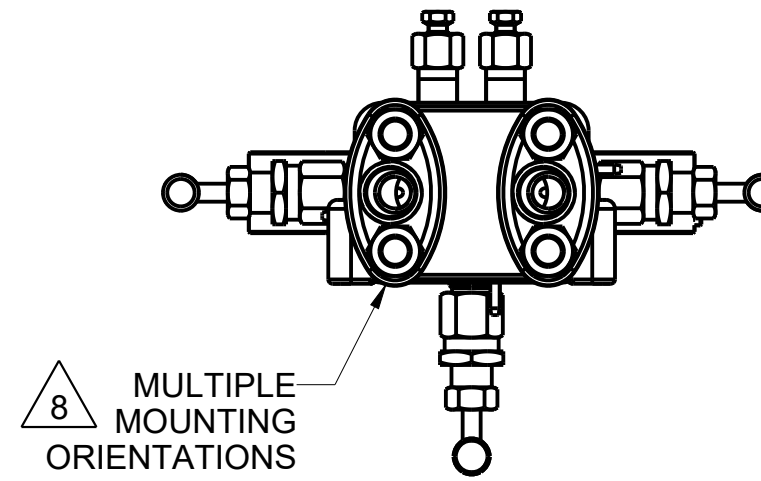
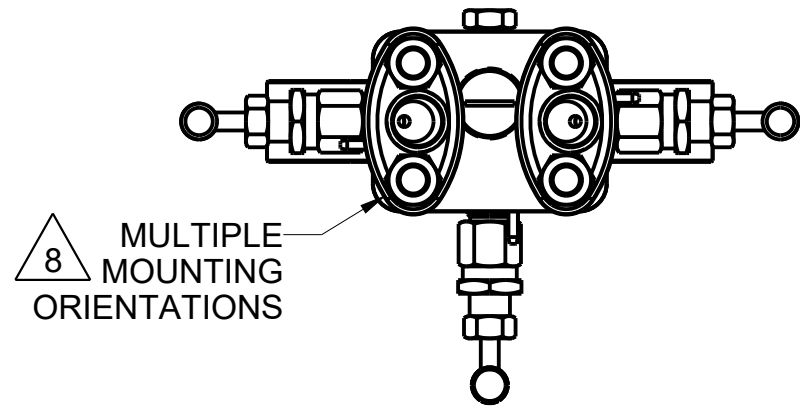
SCALE : NONE

DRAWING NO.

00405-1001

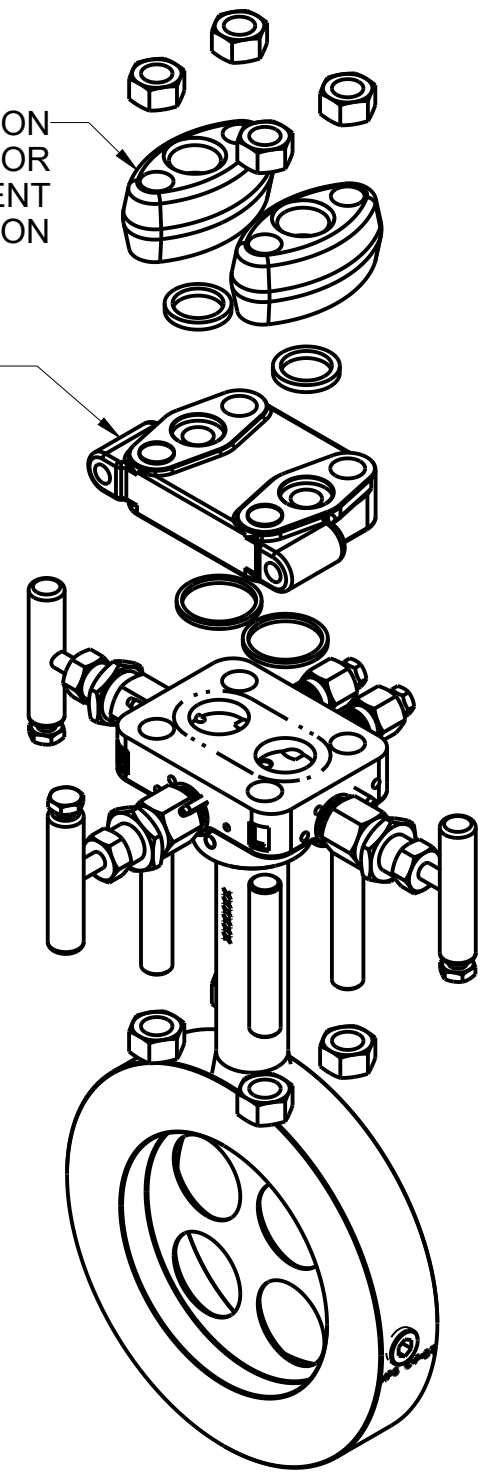
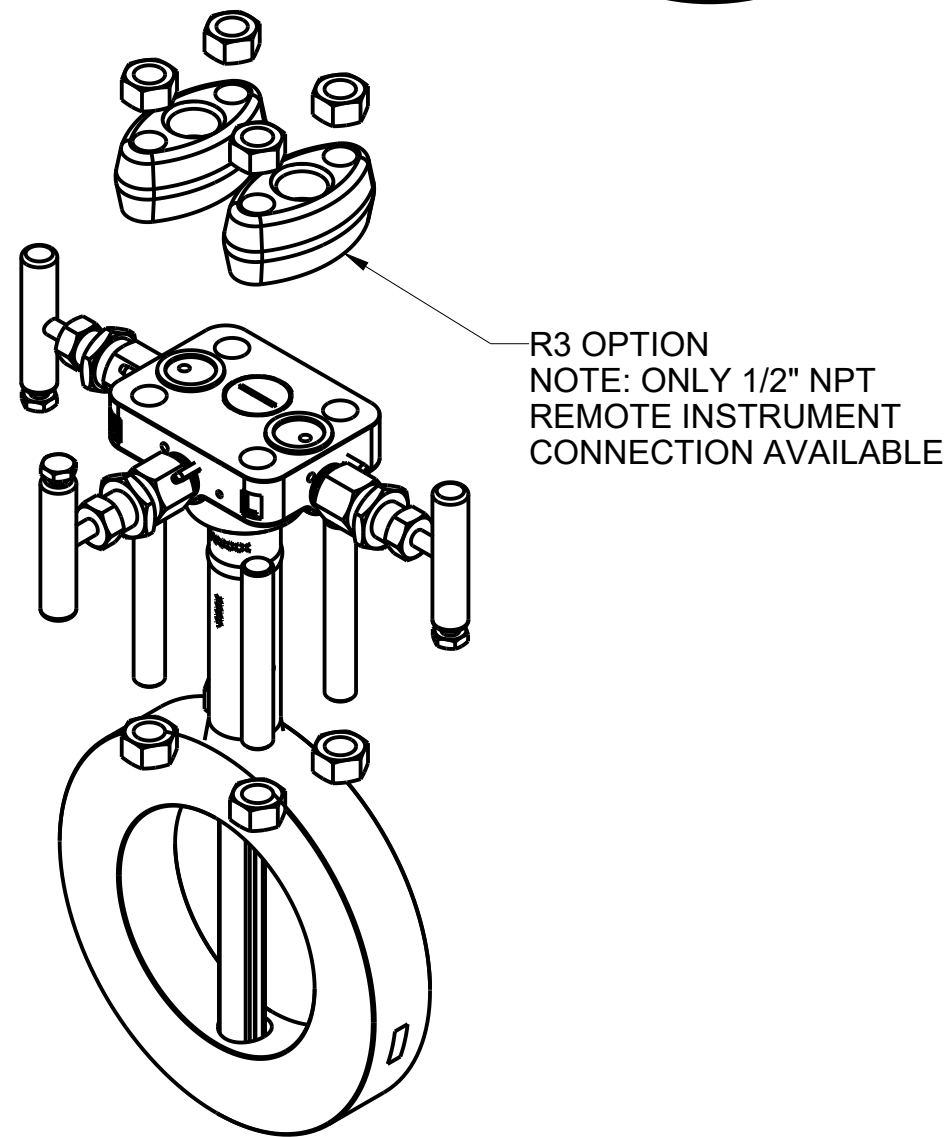
SHEET: 4 of 7

# REMOTE MOUNT TYPE CONNECTION OPTIONS



R3 WITH E OPTION  
NOTE: USED ONLY FOR  
1/2" NPT REMOTE INSTRUMENT  
CONNECTION

R3 OPTION  
NOTE: USED FOR BOTH 1/4" NPT  
& 1/2" NPT REMOTE INSTRUMENT  
CONNECTION



**REMOTE MOUNT  
CONNECTION TYPE  
(405A)**

**ROSEMOUNT**  
BOULDER, COLORADO

DR P DEEGAN 12/13/11  
APP'D S IFFT 12/27/11

SIZE  
A

SCALE : NONE

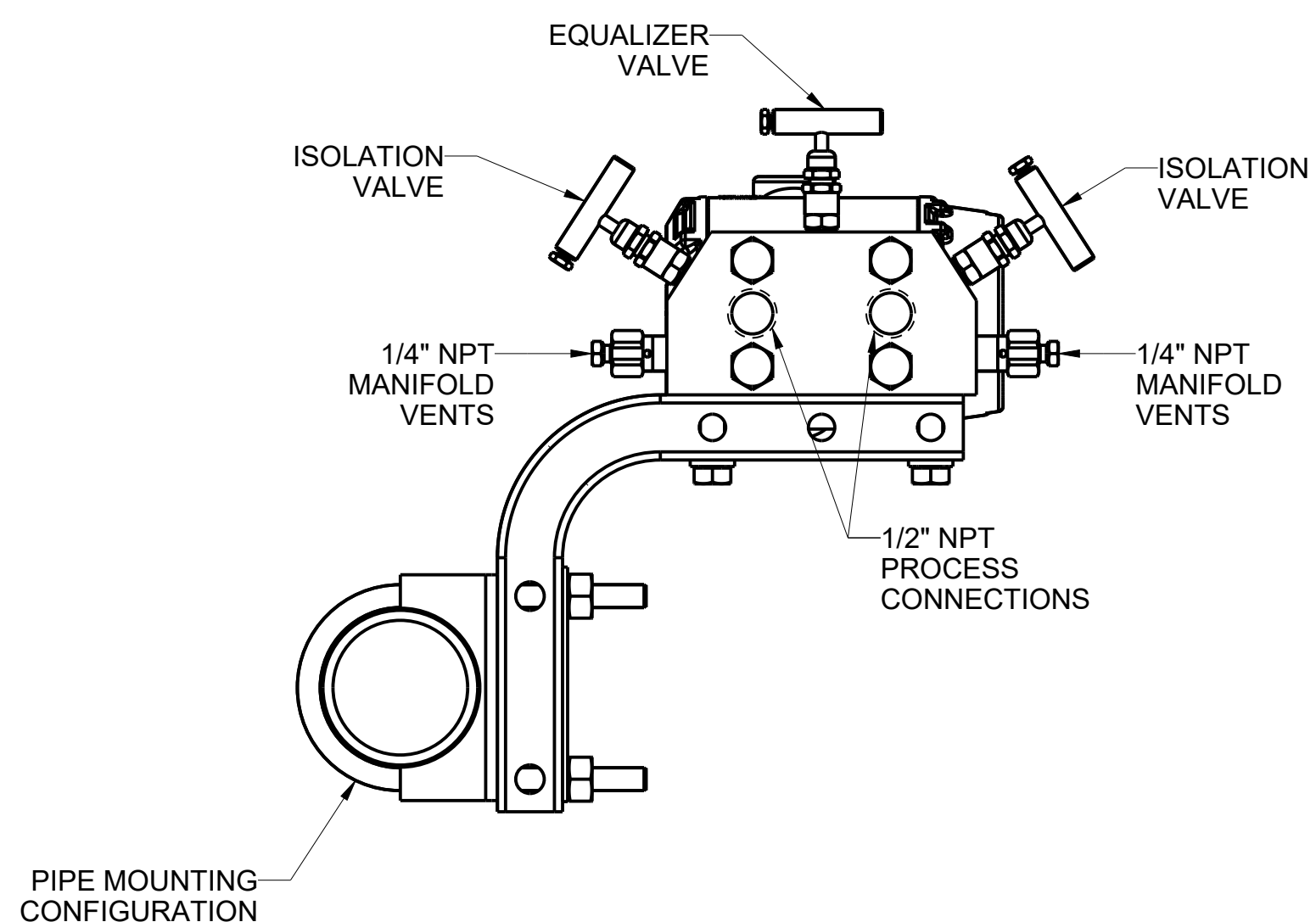
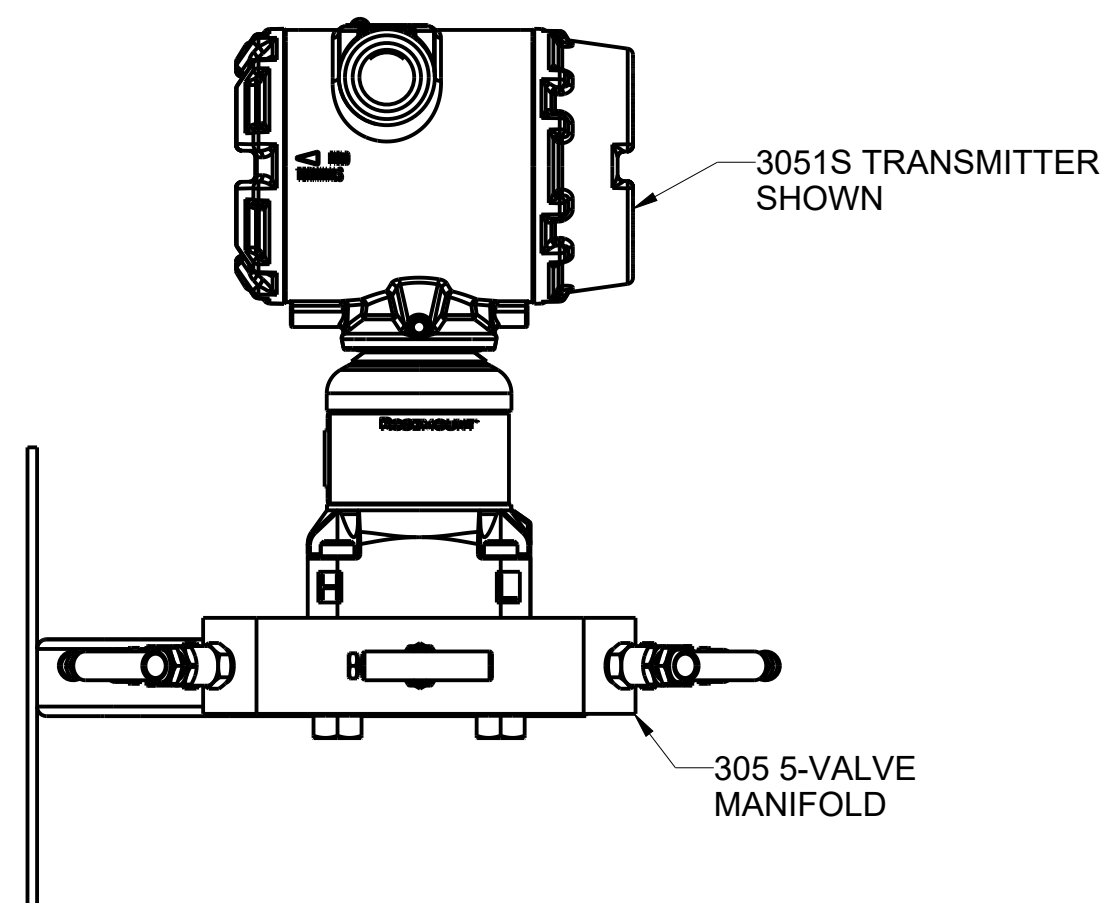
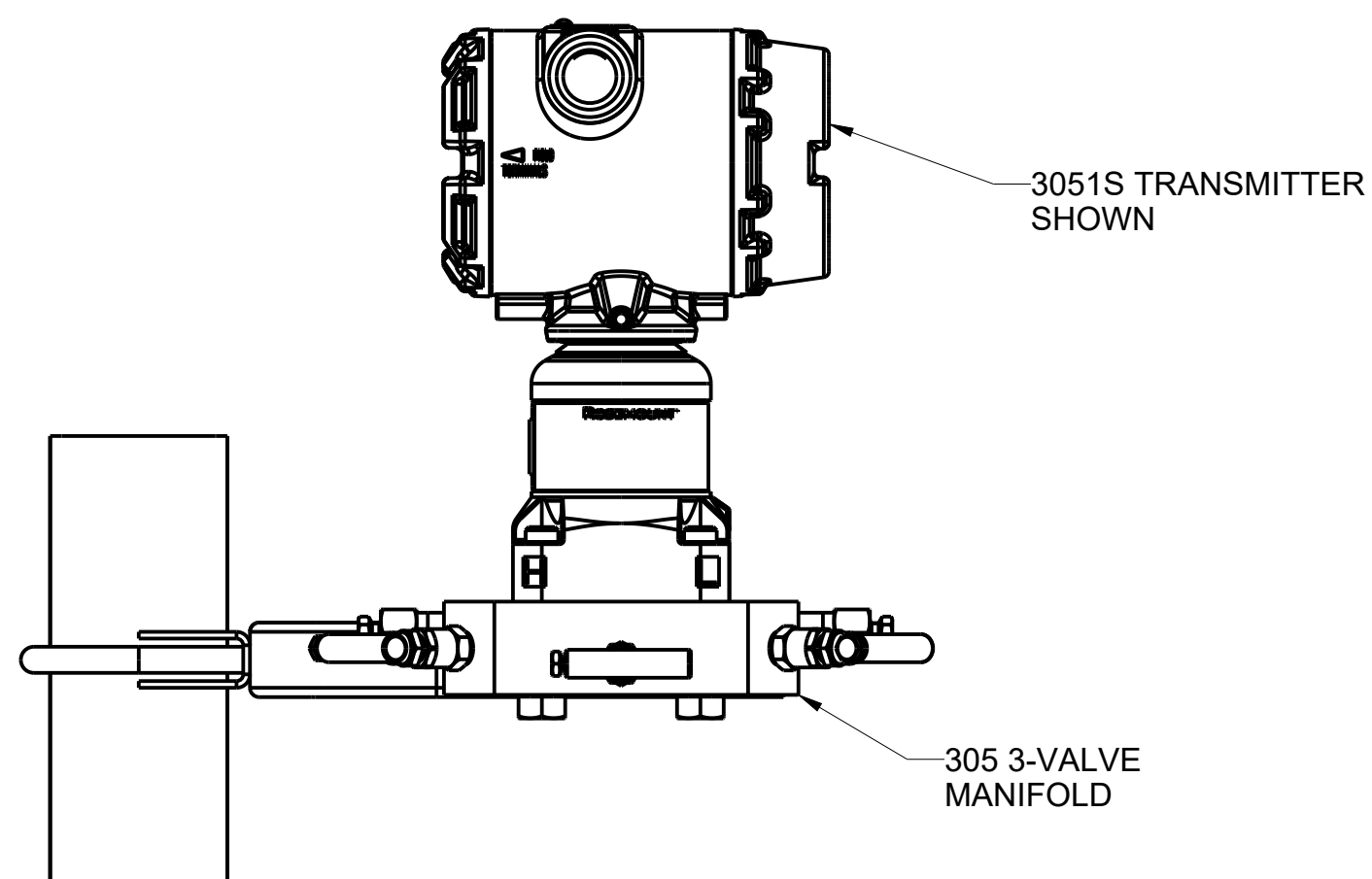
**EMERSON**

DRAWING NO.

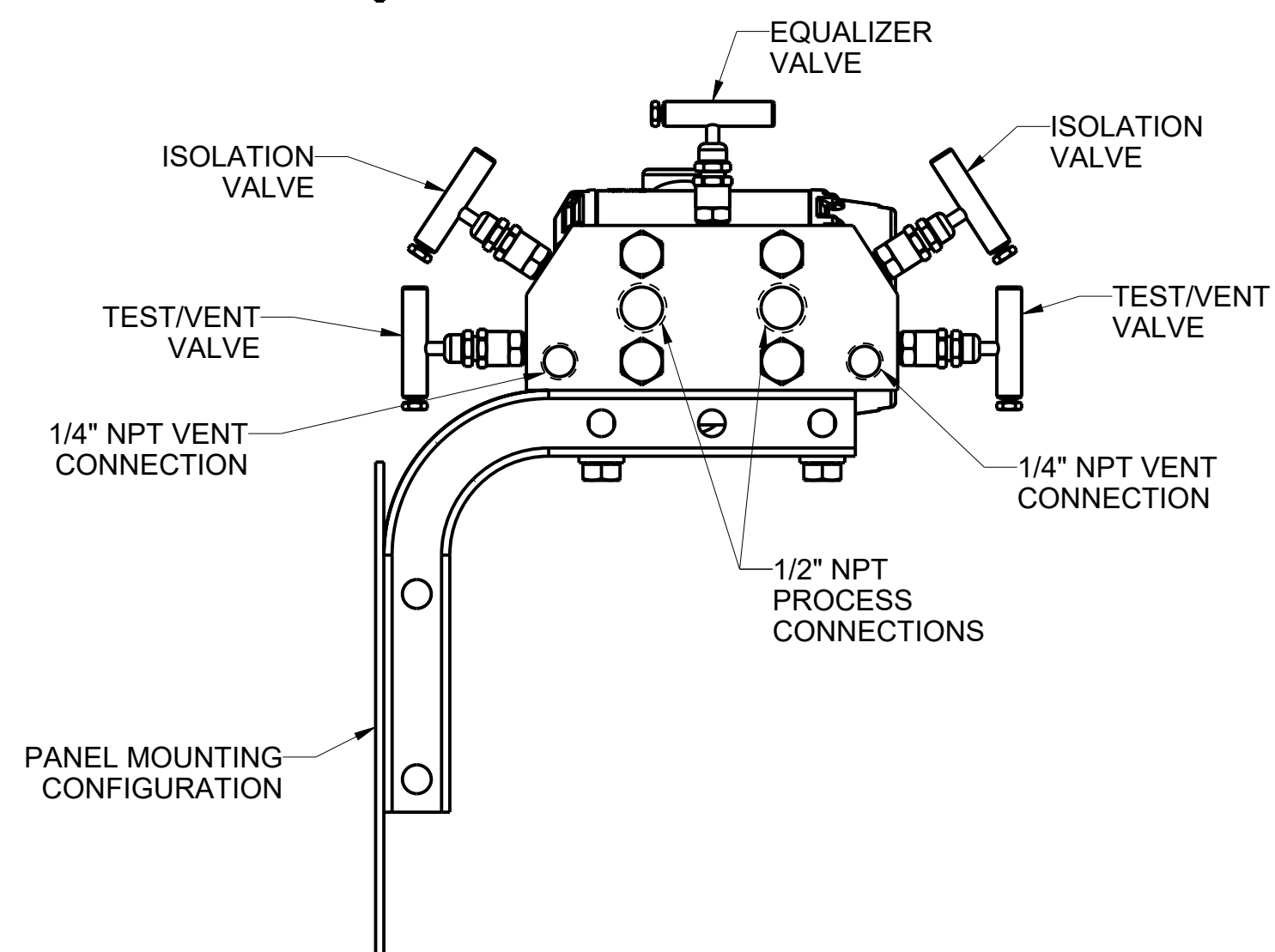
00405-1001

SHEET: 5 of 7

# REMOTE MOUNT MANIFOLD TYPE CONNECTION OPTIONS



**3 VALVE / PIPE MOUNT**



**5 VALVE / PANEL MOUNT**

**ROSEMOUNT**

BOULDER, COLORADO

DR P DEEGAN 12/13/11

APP'D S IFFT 12/27/11

SIZE  
A

SCALE : NONE

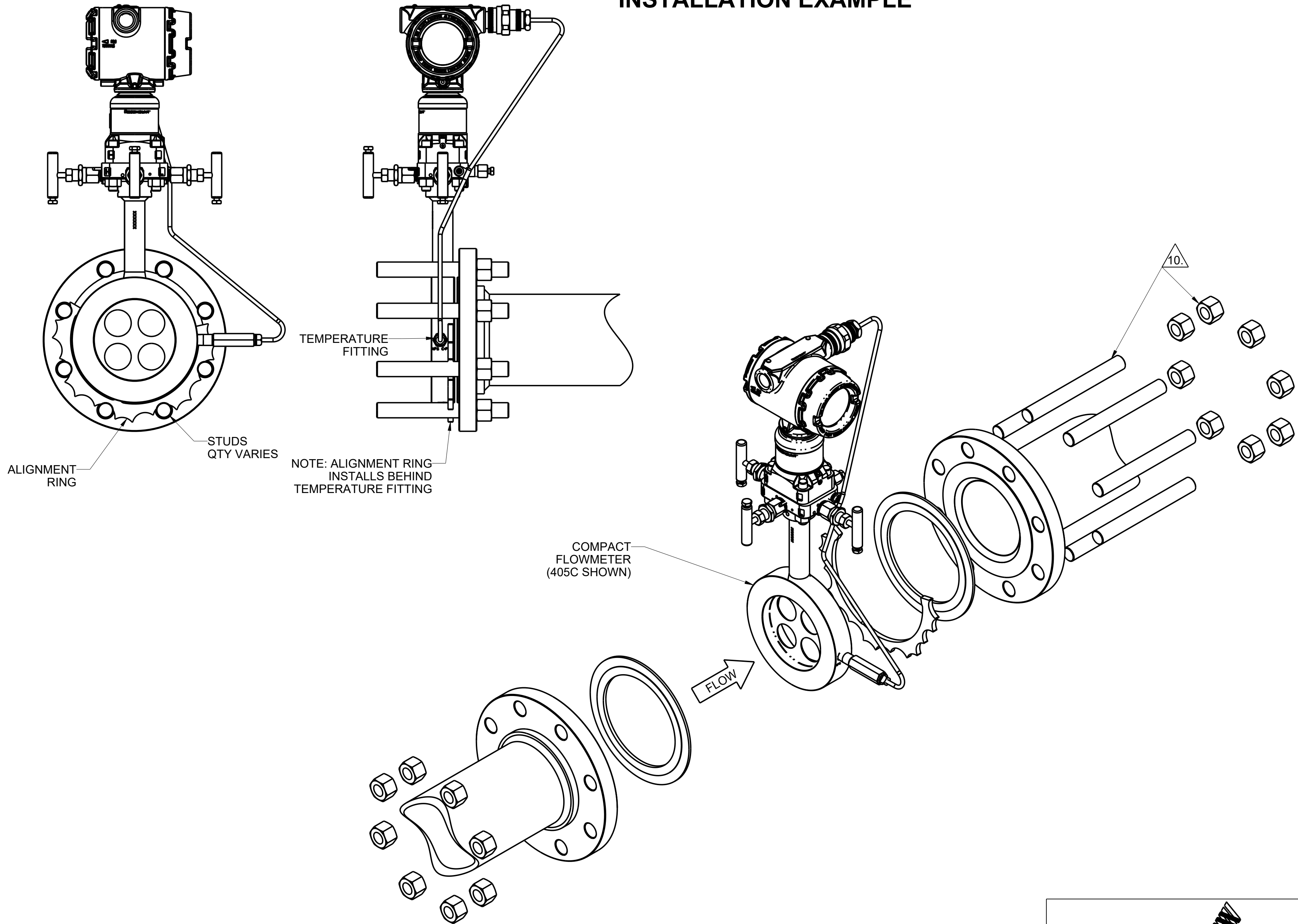


DRAWING NO.

00405-1001

SHEET: 6 of 7

# FLOW METER INSTALLATION EXAMPLE



**ROSEMOUNT**  
BOULDER, COLORADO

DR P DEEGAN 12/13/11  
APP'D S IFFT 12/27/11

SIZE  
A

SCALE : NONE



DRAWING NO.

00405-1001

SHEET: 7 of 7