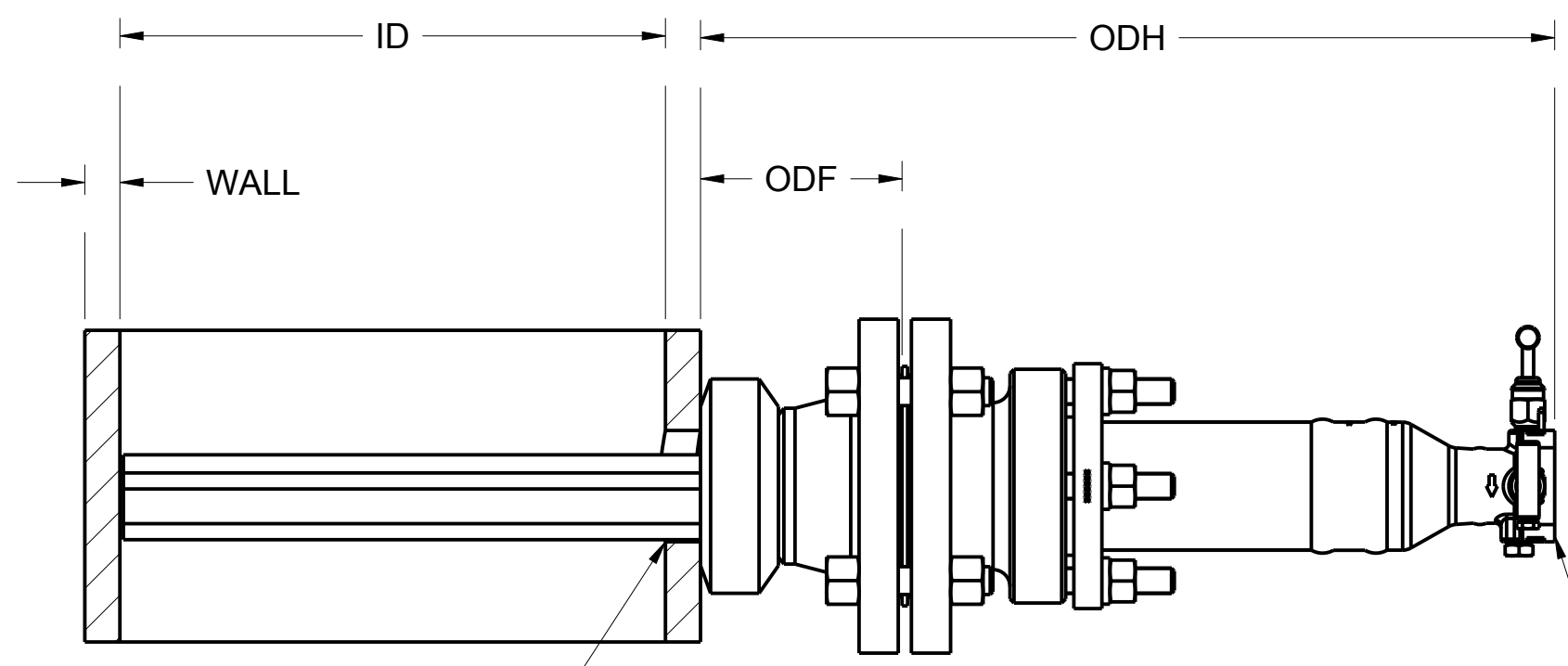
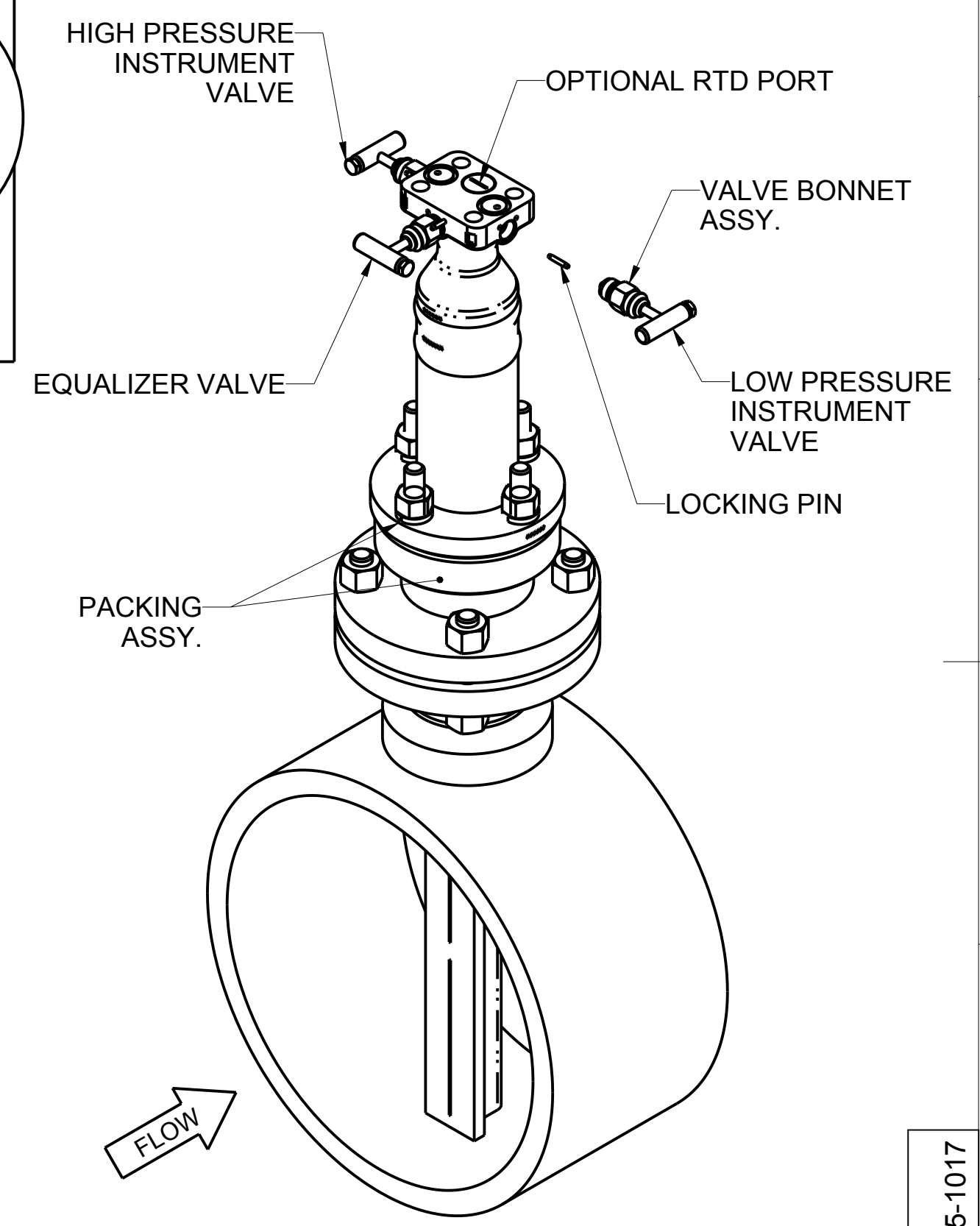
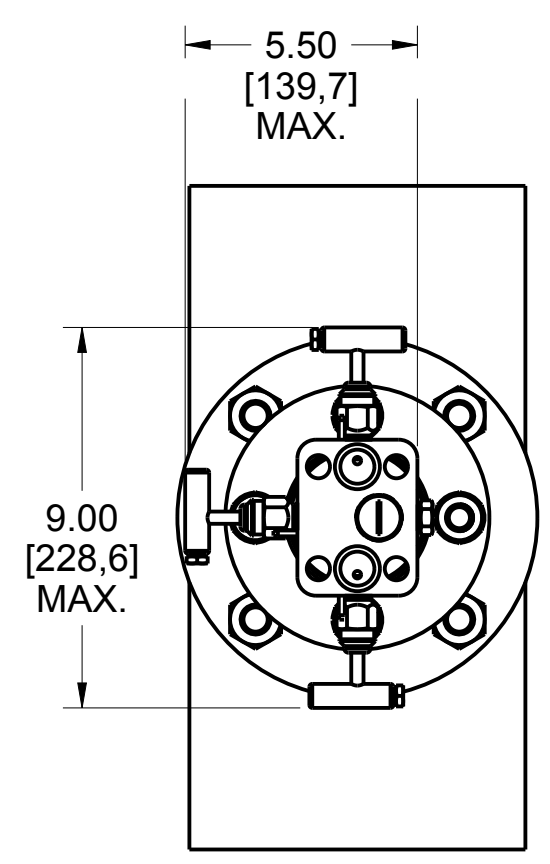
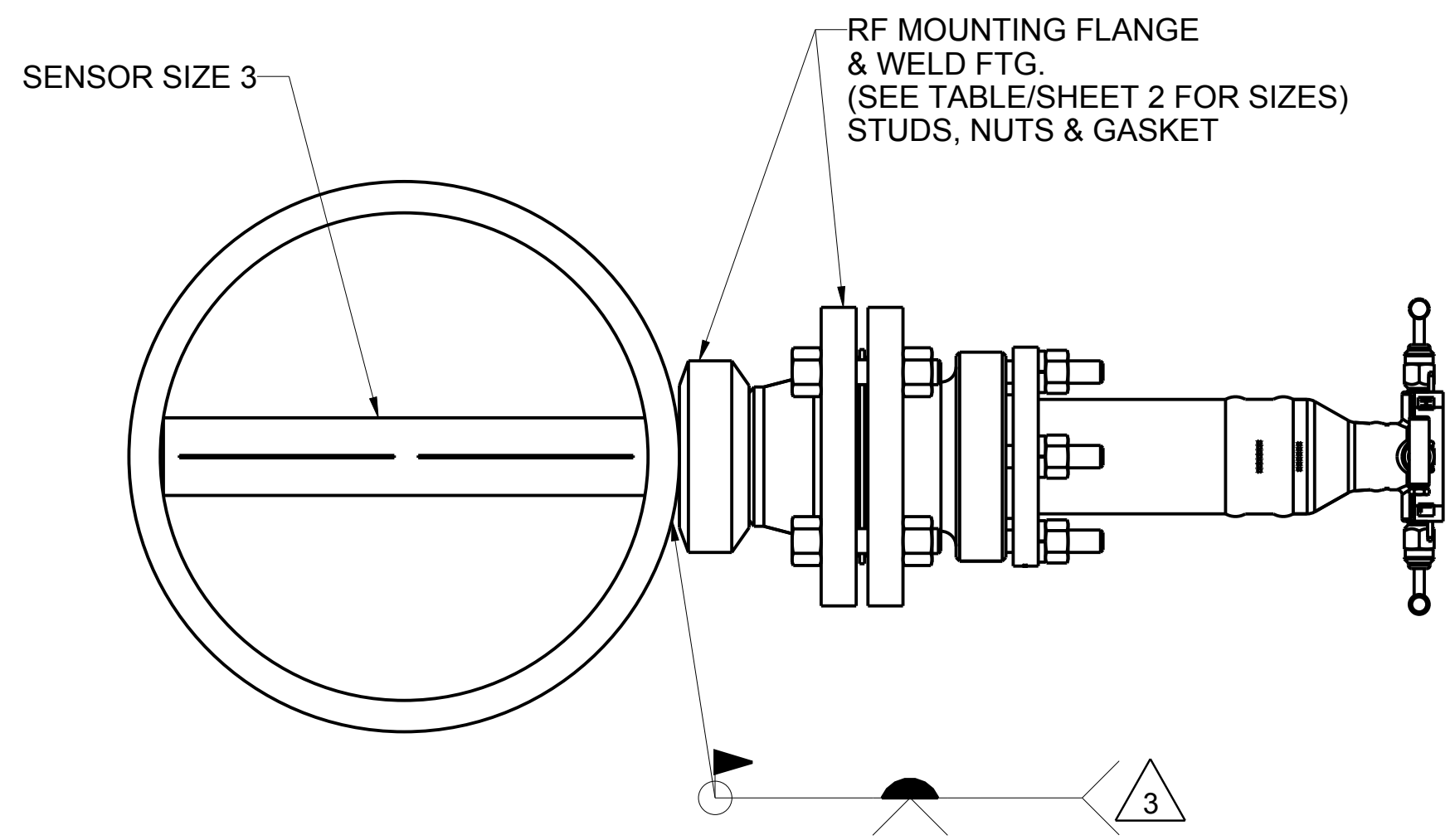


REVISION TABLE			
REVISION	ECO NO.	APP'D	DATE
AD	DS11053064	JR	10/15/15
DESCRIPTION			
REDRAWN IN PROE			



NOTICE

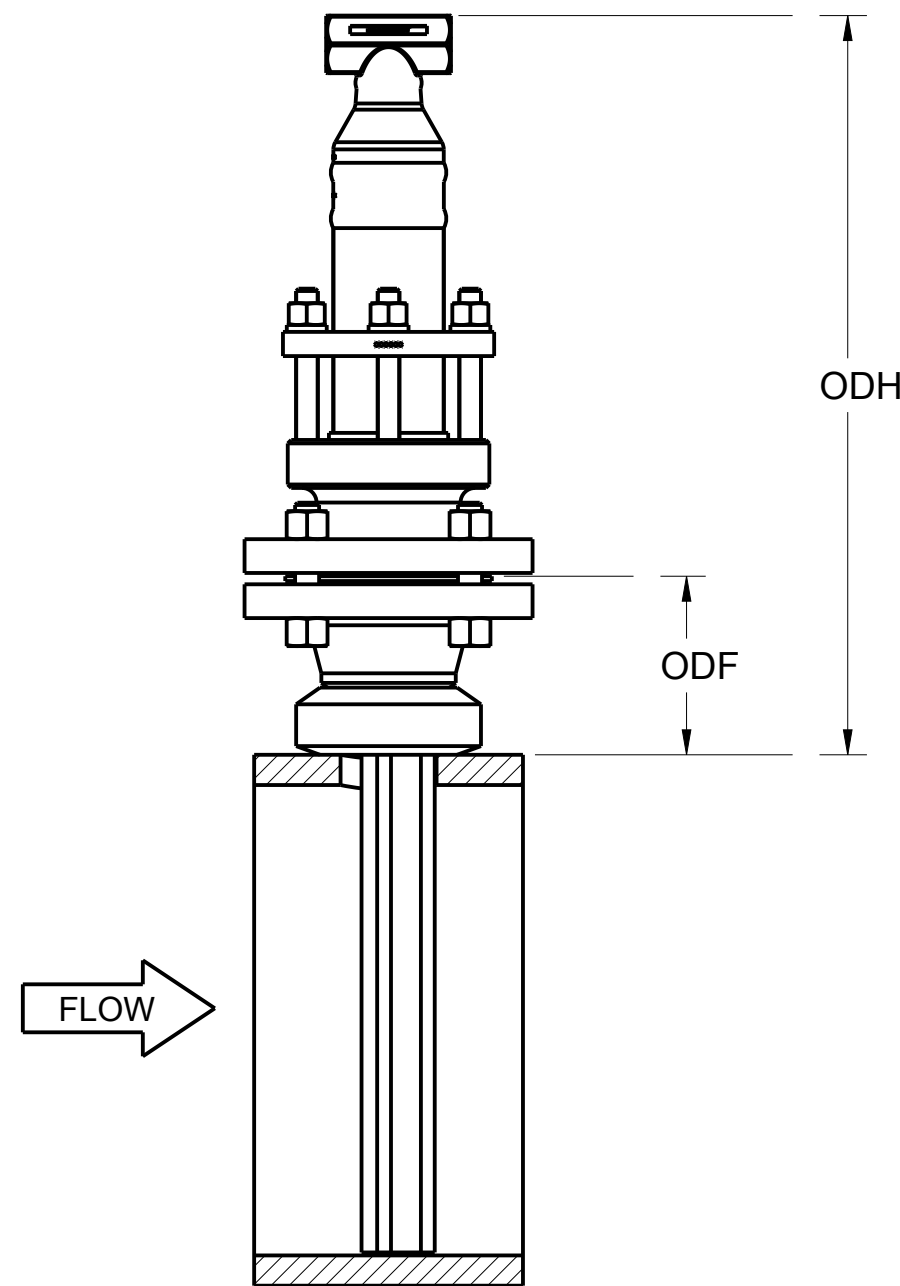
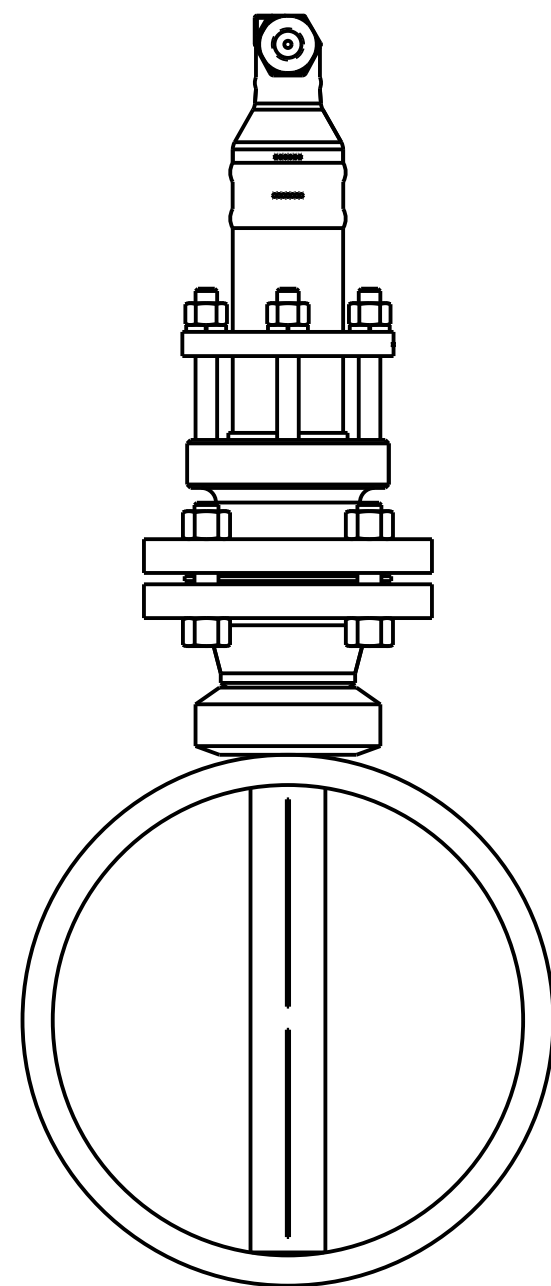
FOR ACCURATE FLOW MEASUREMENT
THE CORRECT HOLE SIZE IN PIPE MUST BE
2-1/2 INCH(64mm)
DO NOT DRILL OVERSIZE
DO NOT TORCH CUT HOLE

NOTE: UNLESS OTHERWISE SPECIFIED
ALL INFORMATION IS BOTH (TYP) & GENERAL
TO STANDARD PRODUCT DESIGN
ALL PIPE SECTIONS SHOWN FOR REFERENCE ONLY

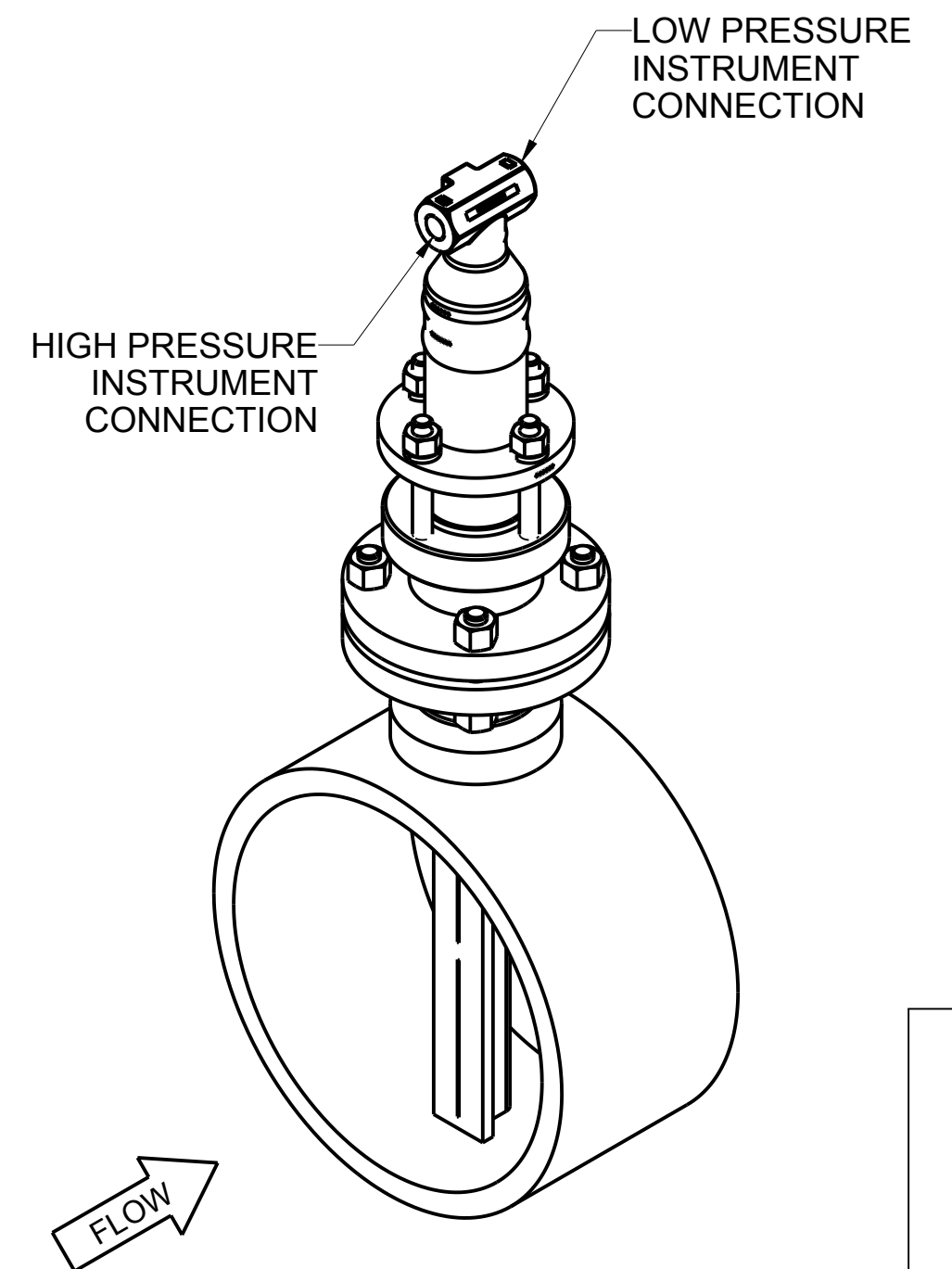
CONFIDENTIAL AND PROPRIETARY INFORMATION IS CONTAINED HEREIN AND MUST BE HANDLED ACCORDINGLY. ROSEMOUNT	SURFACE FINISH UNLESS OTHERWISE SPECIFIED	125	3RD ANGLE		SIZE C	SCALE 1/4	REV AD
UNLESS OTHERWISE SPECIFIED DIMENSIONS IN INCHES [mm]. REMOVE ALL BURRS AND SHARP EDGES.	EMERSON Process Management ROSEMOUNT 8200 Market Boulevard - Chanhassen, MN 55317 USA						
-DEC TOLERANCES-	TITLE DIMENSION DRAWING, MODEL 485 ANNUBAR FLOW -METER (3051SFA, 3051CFA 2051CFA, 3095MFSA) SENSOR SIZE 3 FLANGE-LOK, 150#-600# ANSI						
.X ± .1 [2.5]	DR. SGE		07/13/15		DRAWING NO.		
.XX ± .02 [0.5]	APP'D JR		07/13/15		00485-1017		
.XXX ± .010 [0.25]	DO NOT SCALE PRINT CAD MAINTAINED, (PRO/E) PRODUCT CODE DOC TYPE SHEET 1 OF 3						

DRAWING NO. 00485-1017

FLO-TAP SENSOR SIZE 3					
ALL FLANGE-LOK					
Min. Rod Reynolds	Probe Width	Flange Rating	Flange Size [NPS]	ODF	ODH [MAX.]
25000	1.935 [49.15]	150# ANSI	3sch40	4.63 [117.6]	17.50 [444.5]
		300# ANSI		5.00 [127.0]	
		600# ANSI		5.38 [136.7]	
		DN/PN 16	DN80	3.85 [97.8]	
		DN/PN 40		4.16 [105.7]	
		DN/PN 100		4.95 [125.7]	
150# RTJ	3sch40	4.81 [122.2]			
300# RTJ		5.25 [133.4]			
600# RTJ		5.69 [144.5]			



FLANGE-LOK
HORIZONTAL FLOW
REMOTE MOUNT INSTRUMENT CONNECTIONS
(NO INSTRUMENT VALVES SHOWN)

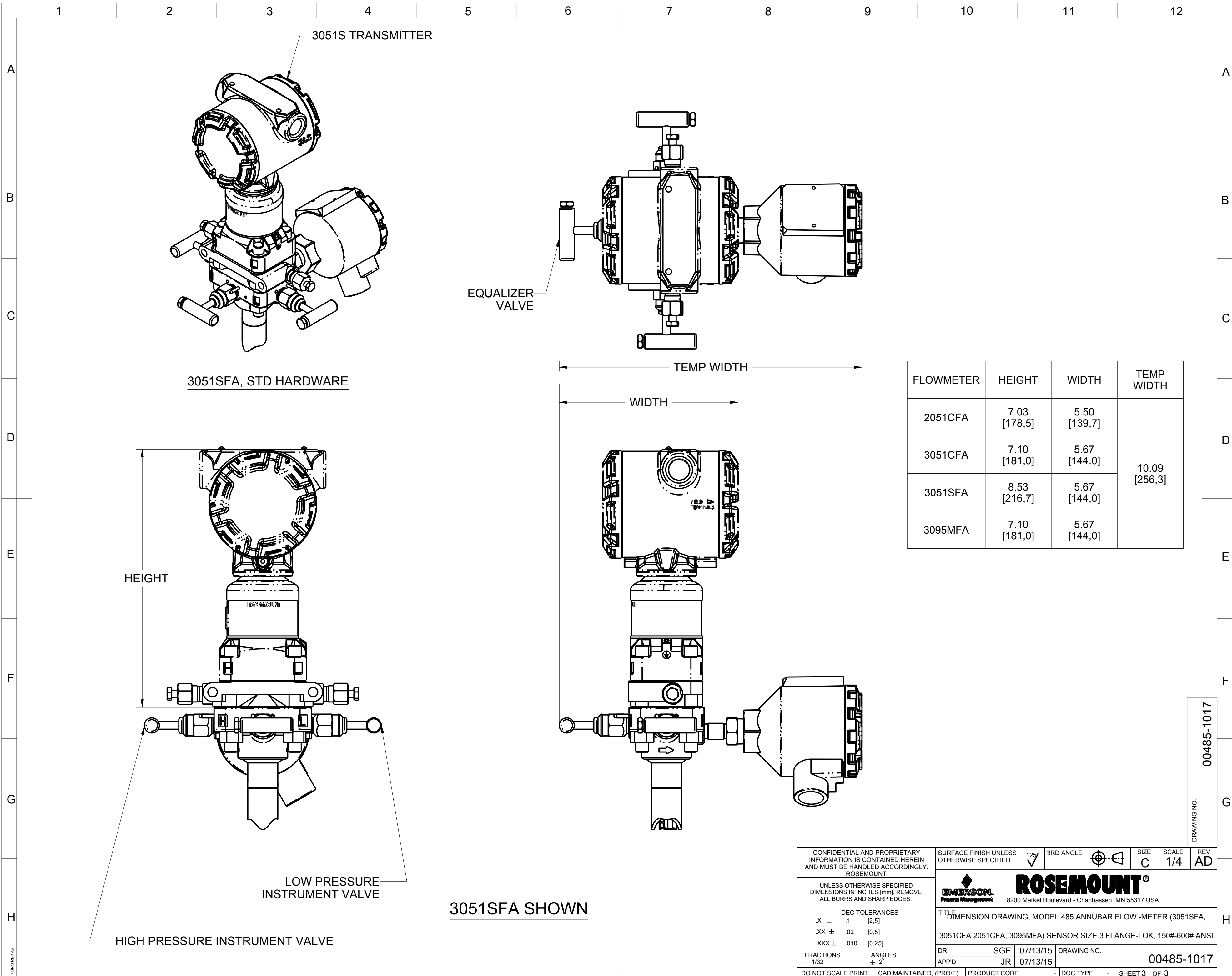


NOTES:

- ROSEMOUNT INC. CERTIFIES THIS DRAWING IS IN ACCORDANCE WITH ROSEMOUNT ENGINEERING SPECIFICATIONS AND ACCURATELY REPRESENTS THE EQUIPMENT FURNISHED.
- ALL ORIENTATIONS SHOWN FOR REFERENCE ONLY. FOR ACTUAL RECOMMENDED LOCATIONS AND ORIENTATIONS REFER TO INSTALLATION INSTRUCTION MANUAL 00809-0100-4809. QUICK INSTALLATION GUIDE (QIG) 00825-0500-4809 (THREADED FLO-TAP) OR 00825-0400-4809 (FLANGED FLO-TAP).
- FIELD WELD. REFER TO INSTALLATION INSTRUCTIONS FOR WELD REQUIREMENTS.
- MAXIMUM PRESSURE: 600lb ANSI EQUIVALENT (1440 PSIG AT 100° F/9928.5Kpa g at 37.8C) FOR 316SS.
- MAX TEMPERATURE: 500° F (260C) FOR INTEGRAL TRANSMITTER MOUNTING
850° F (454.4C) FOR STAINLESS STEEL REMOTE TRANSMITTER MOUNTING
850° F (454.4C) FOR HASTELLOY REMOTE TRANSMITTER MOUNTING
- FOR MODEL SELECTIONS, REFER TO ROSEMOUNT PRODUCT DATA SHEETS.

CONFIDENTIAL AND PROPRIETARY INFORMATION IS CONTAINED HEREIN AND MUST BE HANDLED ACCORDINGLY. ROSEMOUNT	SURFACE FINISH UNLESS OTHERWISE SPECIFIED	125	3RD ANGLE	SIZE C	SCALE 1/4	REV AD
UNLESS OTHERWISE SPECIFIED DIMENSIONS IN INCHES [mm]. REMOVE ALL BURRS AND SHARP EDGES.						
-DEC TOLERANCES-	TITLE DIMENSION DRAWING, MODEL 485 ANNUBAR FLOW -METER (3051SFA, 3051CFA 2051CFA, 3095MFA) SENSOR SIZE 3 FLANGE-LOK, 150#-600# ANSI					
.X ± .1 [2.5]	DR. SGE 07/13/15 DRAWING NO. 00485-1017					
.XX ± .02 [0.5]	APP'D JR 07/13/15					
.XXX ± .010 [0.25]	DO NOT SCALE PRINT CAD MAINTAINED, (PRO/E) PRODUCT CODE DOC TYPE SHEET 2 OF 3					
FRACTIONS ± 1/32						
ANGLES ± 2°						

DRAWING NO. 00485-1017



FLOWMETER	HEIGHT	WIDTH	TEMP WIDTH
2051CFA	7.03 [178,5]	5.50 [139,7]	10.09 [256,3]
3051CFA	7.10 [181,0]	5.67 [144,0]	
3051SFA	8.53 [216,7]	5.67 [144,0]	
3095MFA	7.10 [181,0]	5.67 [144,0]	

CONFIDENTIAL AND PROPRIETARY INFORMATION IS CONTAINED HEREIN AND MUST BE HANDLED ACCORDINGLY. ROSEMOUNT

SURFACE FINISH UNLESS OTHERWISE SPECIFIED $\sqrt{125}$ 3RD ANGLE $\begin{matrix} \phi \\ \square \end{matrix}$ SIZE C SCALE 1/4 REV AD

UNLESS OTHERWISE SPECIFIED DIMENSIONS IN INCHES [mm]. REMOVE ALL BURRS AND SHARP EDGES.

EMERSON **ROSEMOUNT**
Process Management 8200 Market Boulevard - Chanhassen, MN 55317 USA

TITLE DIMENSION DRAWING, MODEL 485 ANNUBAR FLOW -METER (3051SFA, 3051CFA 2051CFA, 3095MFA) SENSOR SIZE 3 FLANGE-LOK, 150#-600# ANSI

DR. SGE 07/13/15 DRAWING NO. 00485-1017

APP'D JR 07/13/15

DO NOT SCALE PRINT CAD MAINTAINED, (PRO/E) PRODUCT CODE . DOC TYPE . SHEET 3 OF 3

DRAWING NO. 00485-1017