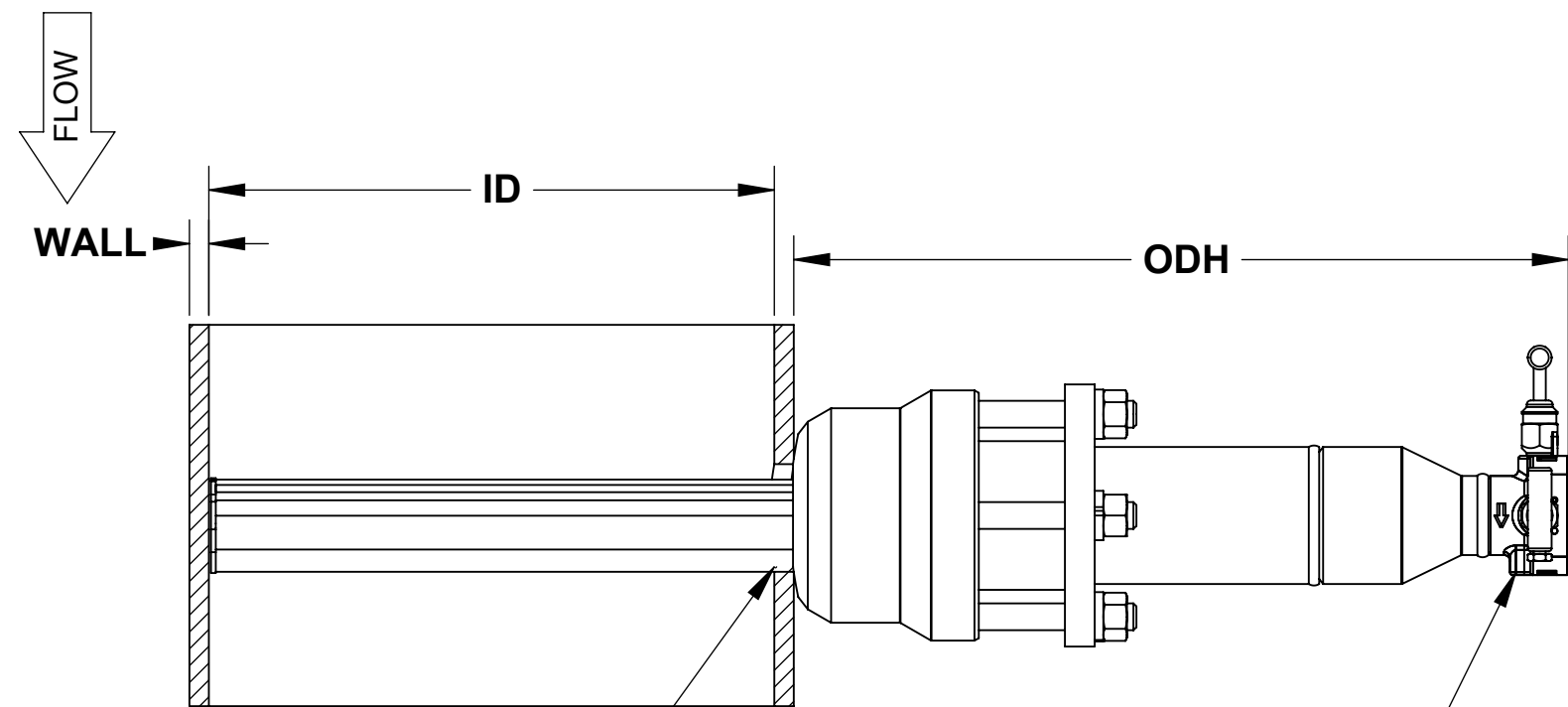
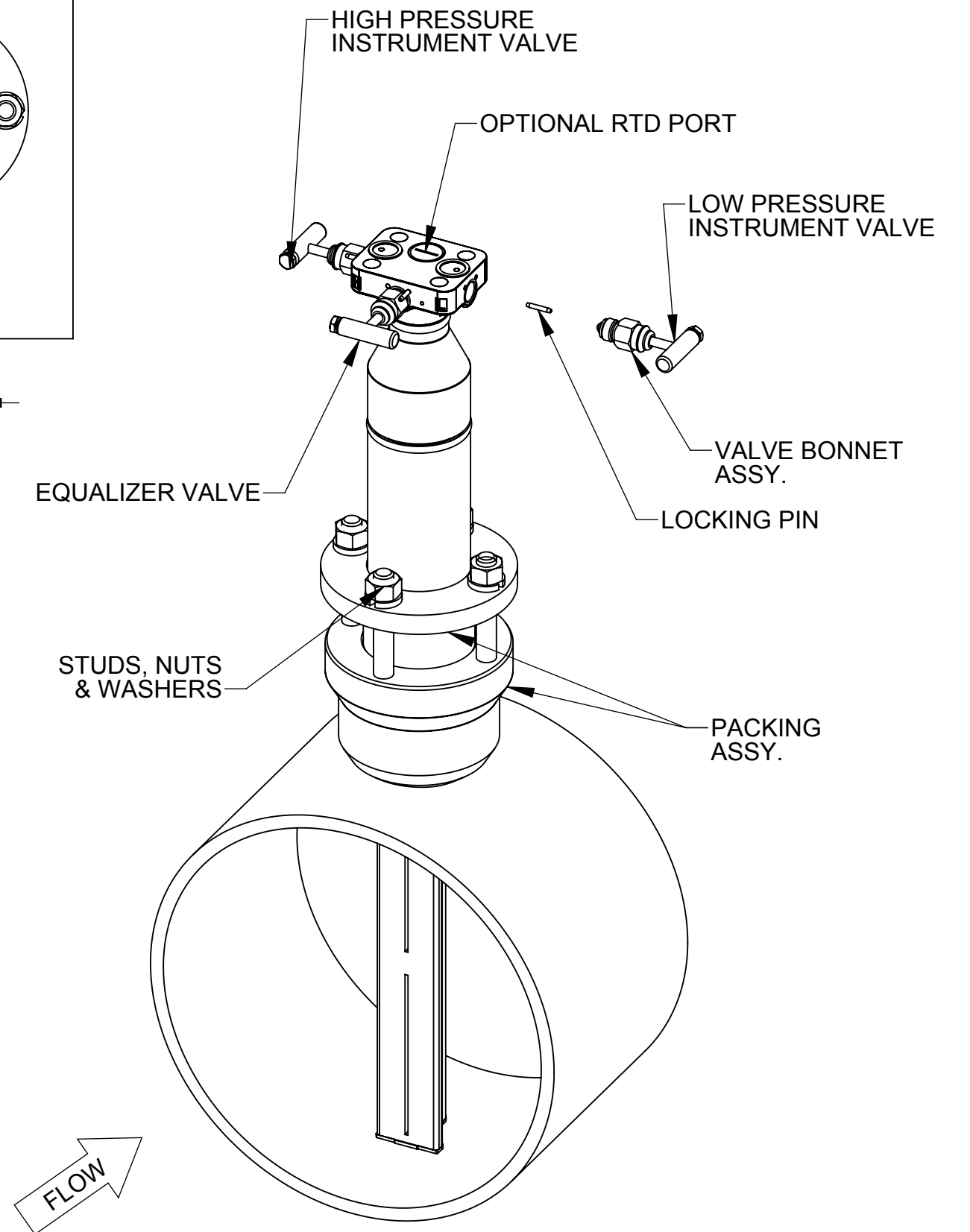
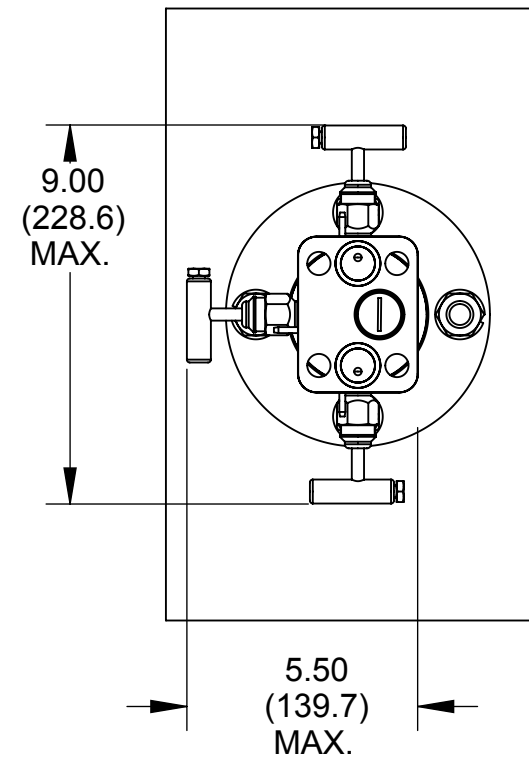
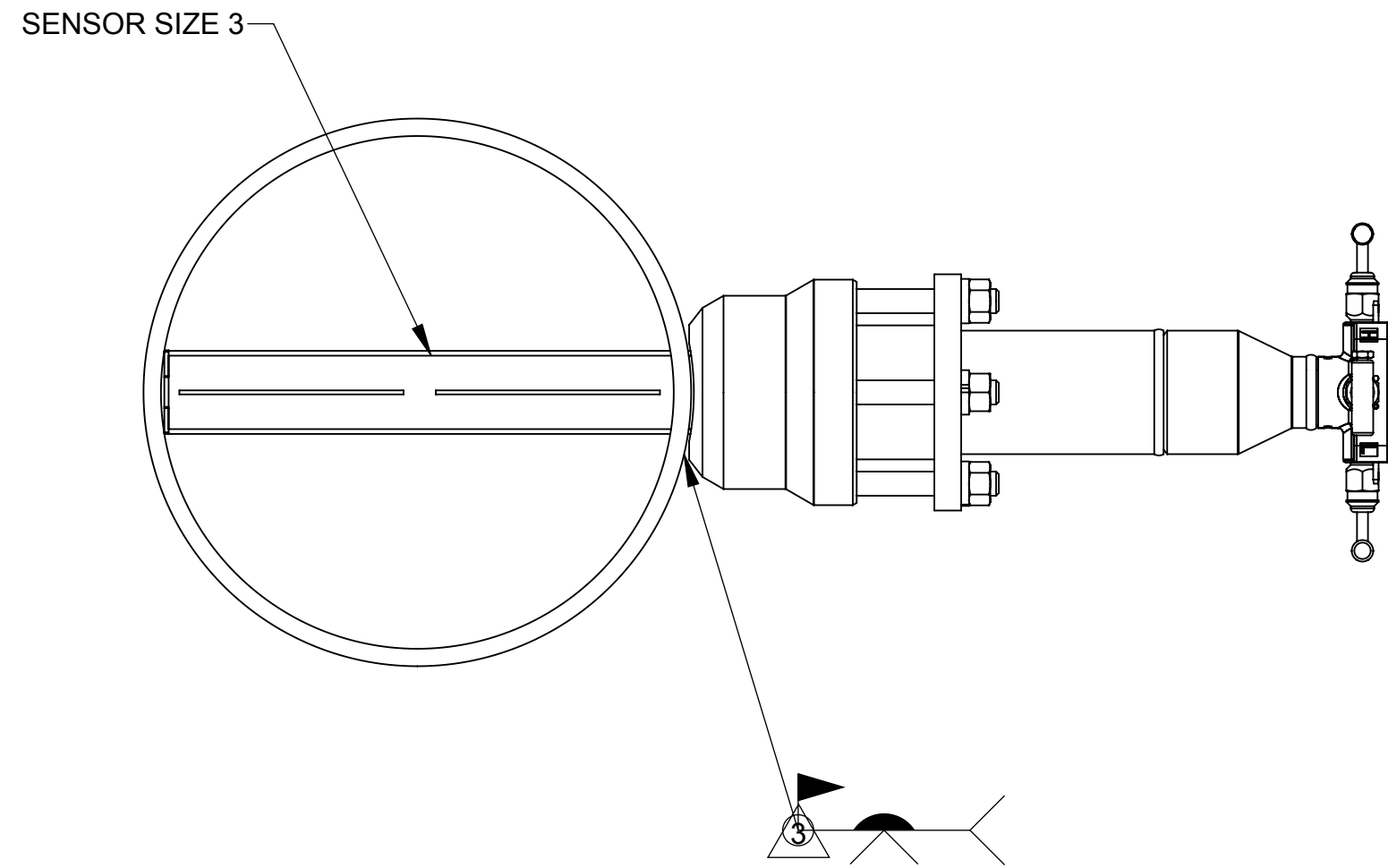


REVISIONS				
REV	DESCRIPTION	CHG.NO.	APP'D	DATE
AE	ADDED LOW TIER TRANSMITTER	DSI1003150	JR	02/15/10



**INTEGRAL MOUNT  
HEAD OPTION**

**PAK-LOK  
SENSOR SIZE 3**

**NOTICE**

FOR ACCURATE FLOW MEASUREMENT  
THE CORRECT HOLE SIZE IN PIPE MUST BE:

**2-1/2 INCH (64mm)**

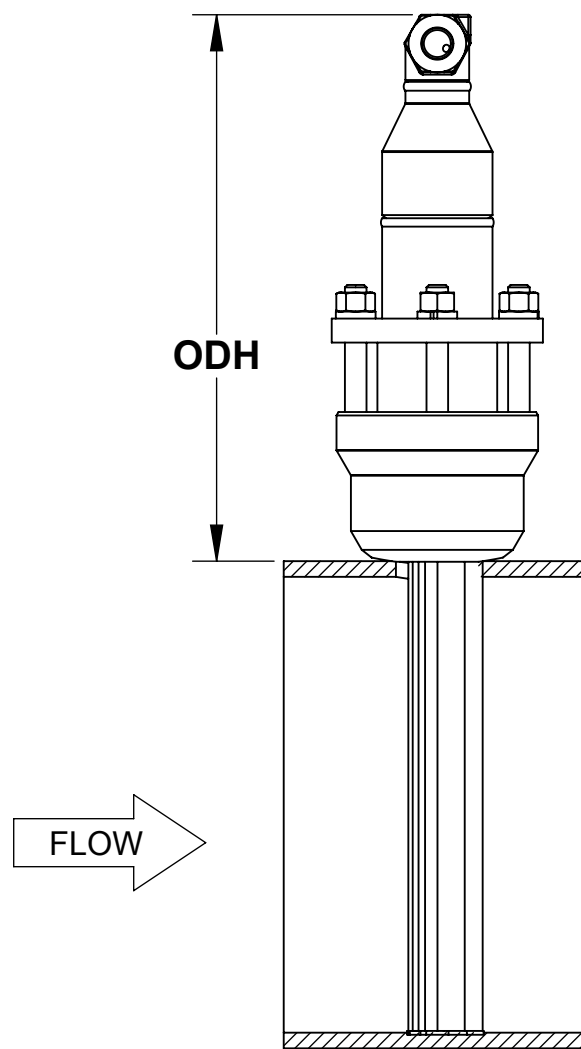
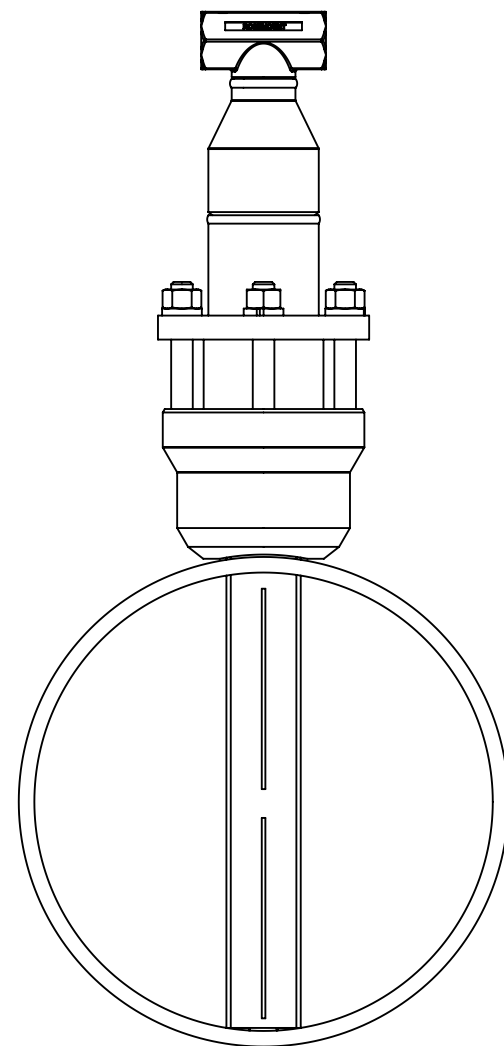
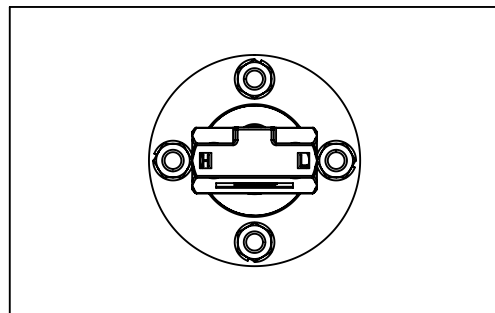
DO NOT DRILL OVERSIZE  
DO NOT TORCH CUT HOLE

NOTE: UNLESS OTHERWISE SPECIFIED  
ALL INFORMATION IS BOTH (TYP) & GENERAL  
TO STANDARD PRODUCT DESIGN  
ALL PIPE SECTIONS SHOWN FOR REFERENCE ONLY

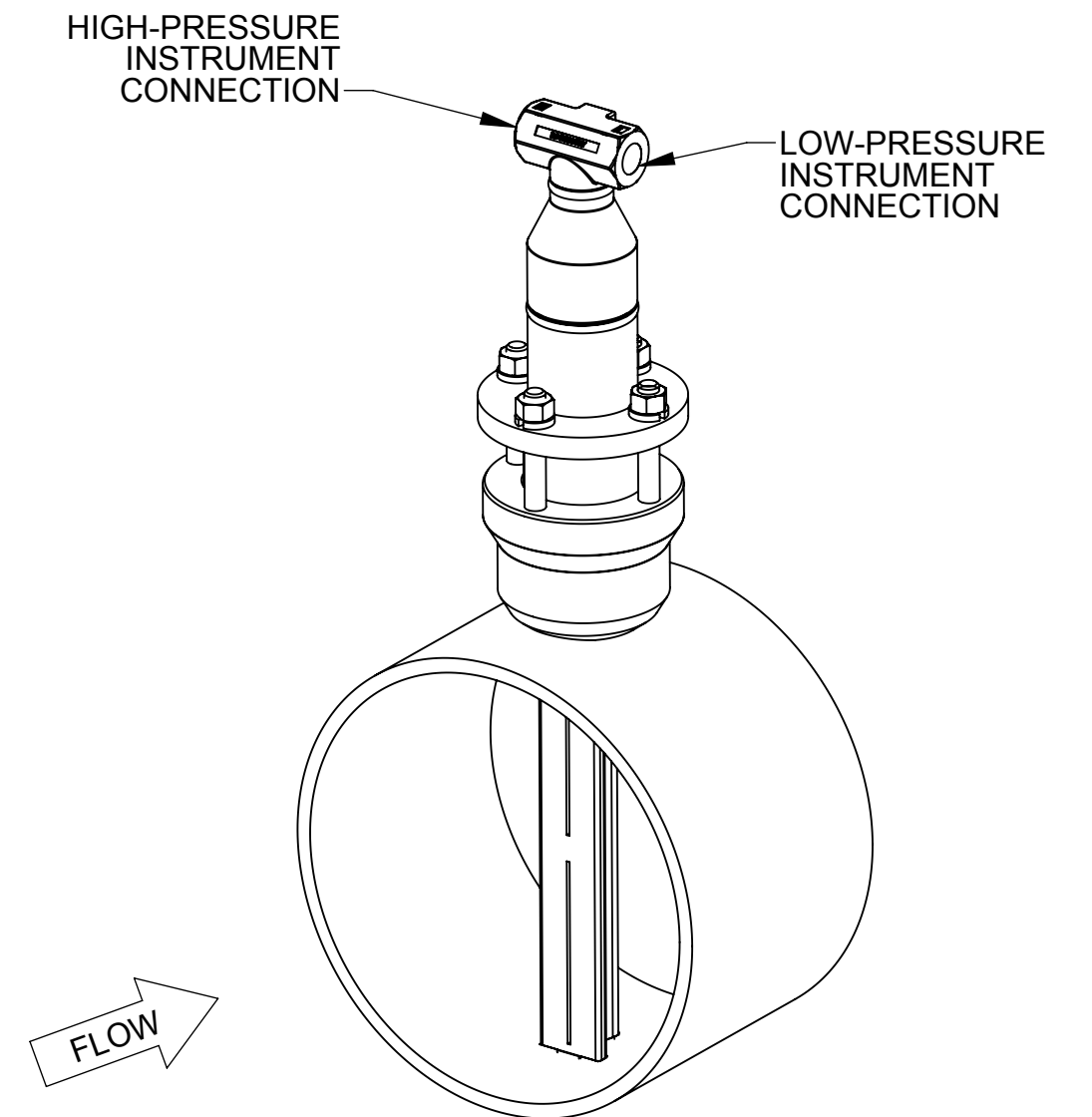
<p>*UNLESS OTHERWISE SPECIFIED DIMENSIONS IN INCHES (MM)</p> <p>*ALL DIMENSIONS ARE NOMINAL AND ARE FOR REFERENCE ONLY</p>	<b>TYPE I</b>		<b>ROSEMOUNT®</b> BOULDER, COLORADO	
	DR.	J.PAYLOR	10/21/05	TITLE
	APPROVAL			DIMENSION DRAWING, MODEL 485 ANNUBAR FLOWMETER (3051SFA, 3051CFA 2051CFA, 3095MFA) SENSOR SIZE 3 PAK-LOK 150# - 600# ANSI
	DRAWING	D.VERHAAGEN	1/9/06	DRAWING NO.
	EMERSON Process Management			00485-1003
	TAGGING		SIZE A	SCALE: NONE
	SPECIALS		SHEET 1 OF 3	

PAK-LOK SENSOR SIZE 3

Min. Rod Reynolds	Probe Width	ODH (MAX.)
25000	1.935 (49.15)	12.00 (304.8)



**PAK-LOK  
HORIZONTAL FLOW  
REMOTE MOUNT INSTRUMENT CONNECTIONS  
(NO INSTRUMENT VALVES SHOWN)**



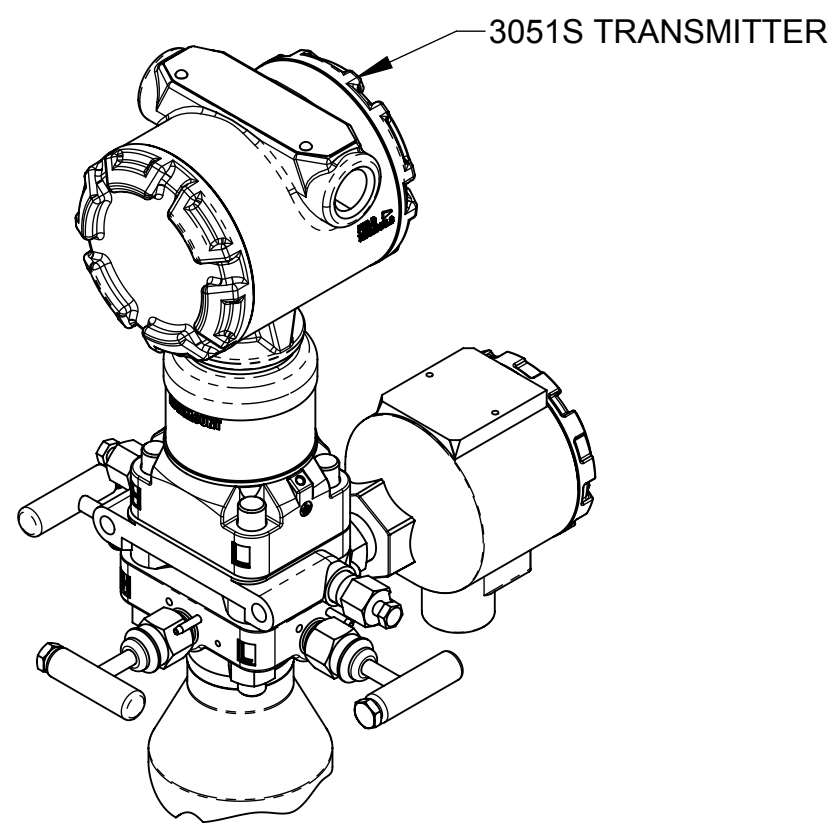
NOTES:

- ROSEMOUNT INC. CERTIFIES THIS DRAWING IS IN ACCORDANCE WITH ROSEMOUNT ENGINEERING SPECIFICATIONS AND ACCURATELY REPRESENTS THE EQUIPMENT FURNISHED.
- ALL ORIENTATIONS SHOWN FOR REFERENCE ONLY. FOR ACTUAL RECOMMENDED LOCATIONS AND ORIENTATIONS REFER TO INSTALLATION INSTRUCTION MANUAL 00809-0100-4809, QUICK INSTALLATION GUIDE (QIG) 00825-0300-4809.
- FIELD WELD. REFER TO INSTALLATION INSTRUCTIONS FOR WELD REQUIREMENTS.
- MAXIMUM PRESSURE: 600lb ANSI EQUIVALENT (1440 PSIG AT 100°F/ 9928.5Kpa g at 37.8C) FOR 316SS.
- MAX TEMPERATURE: 500°F (260 C) FOR INTEGRAL TRANSMITTER MOUNTING  
850°F (454.4 C) FOR STAINLESS STEEL REMOTE TRANSMITTER MOUNTING  
1250°F (676.7 C) FOR HASTELLOY REMOTE TRANSMITTER MOUNTING
- FOR MODEL SELECTIONS, REFER TO ROSEMOUNT PRODUCT DATA SHEETS.

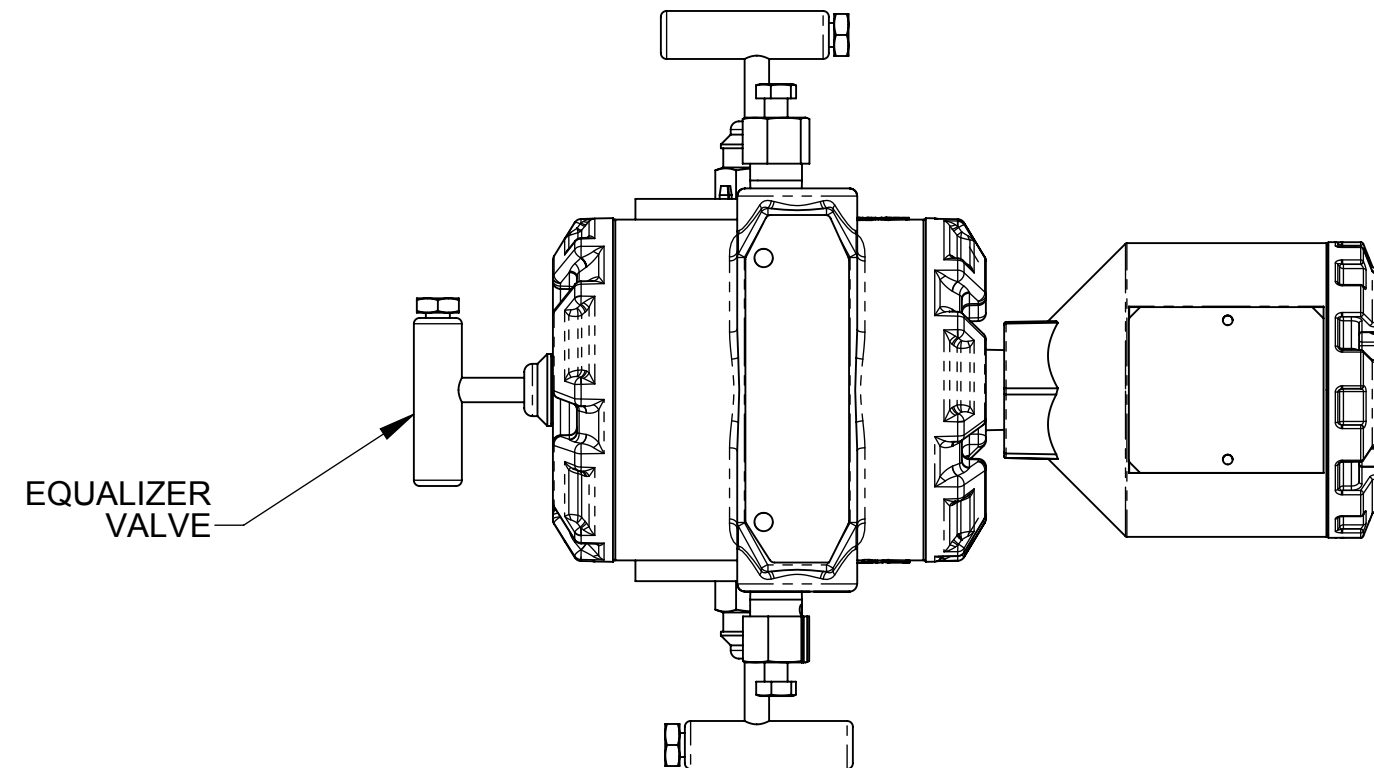
**ROSEMOUNT®**

BOULDER, COLORADO

SIZE A	FSCM.NO.	DRAWING NO. <b>00485-1003</b>
SCALE: NONE   WT.		SHEET 2 OF 3



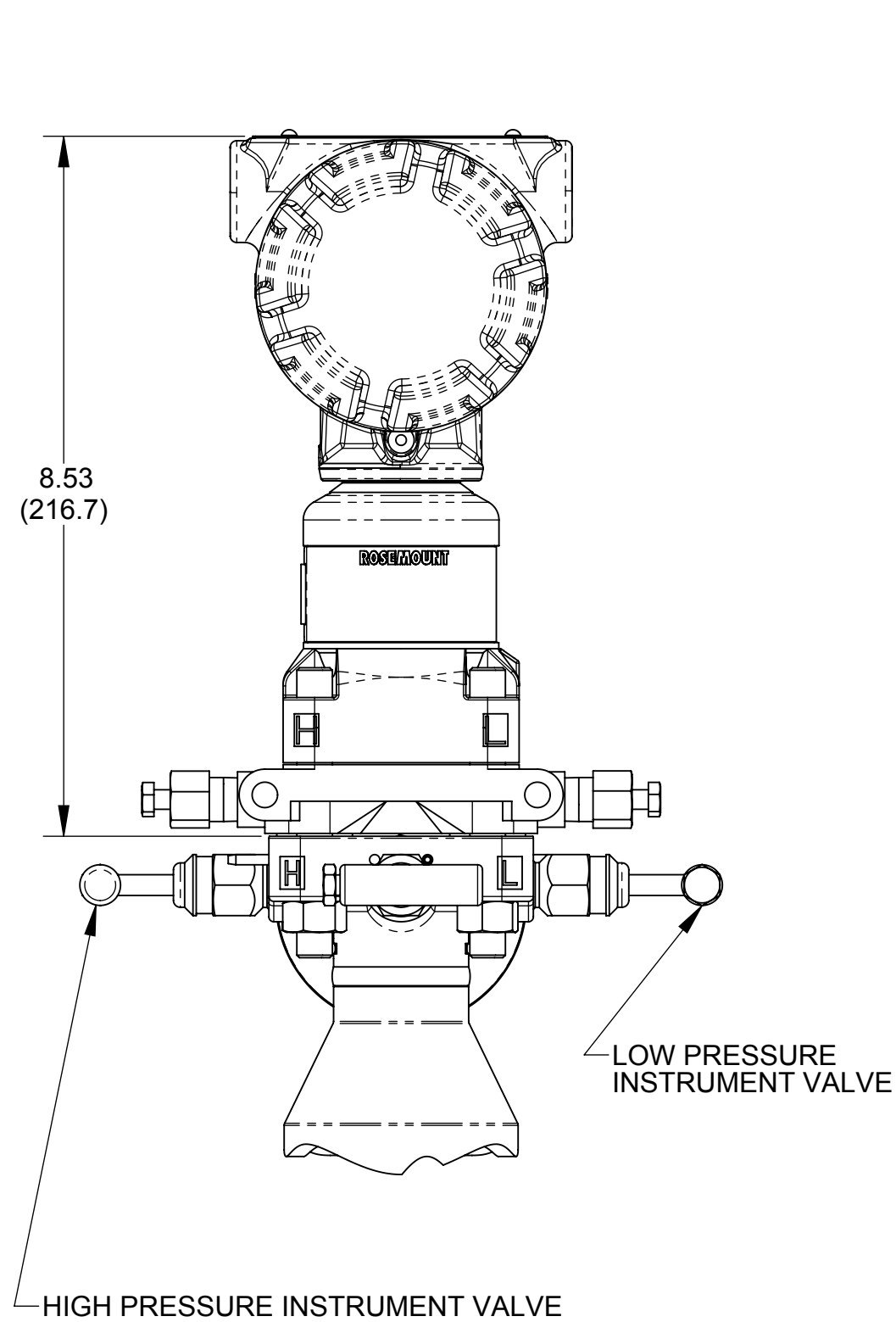
3051S TRANSMITTER



EQUALIZER VALVE

**3051SFA, STD HARDWARE**

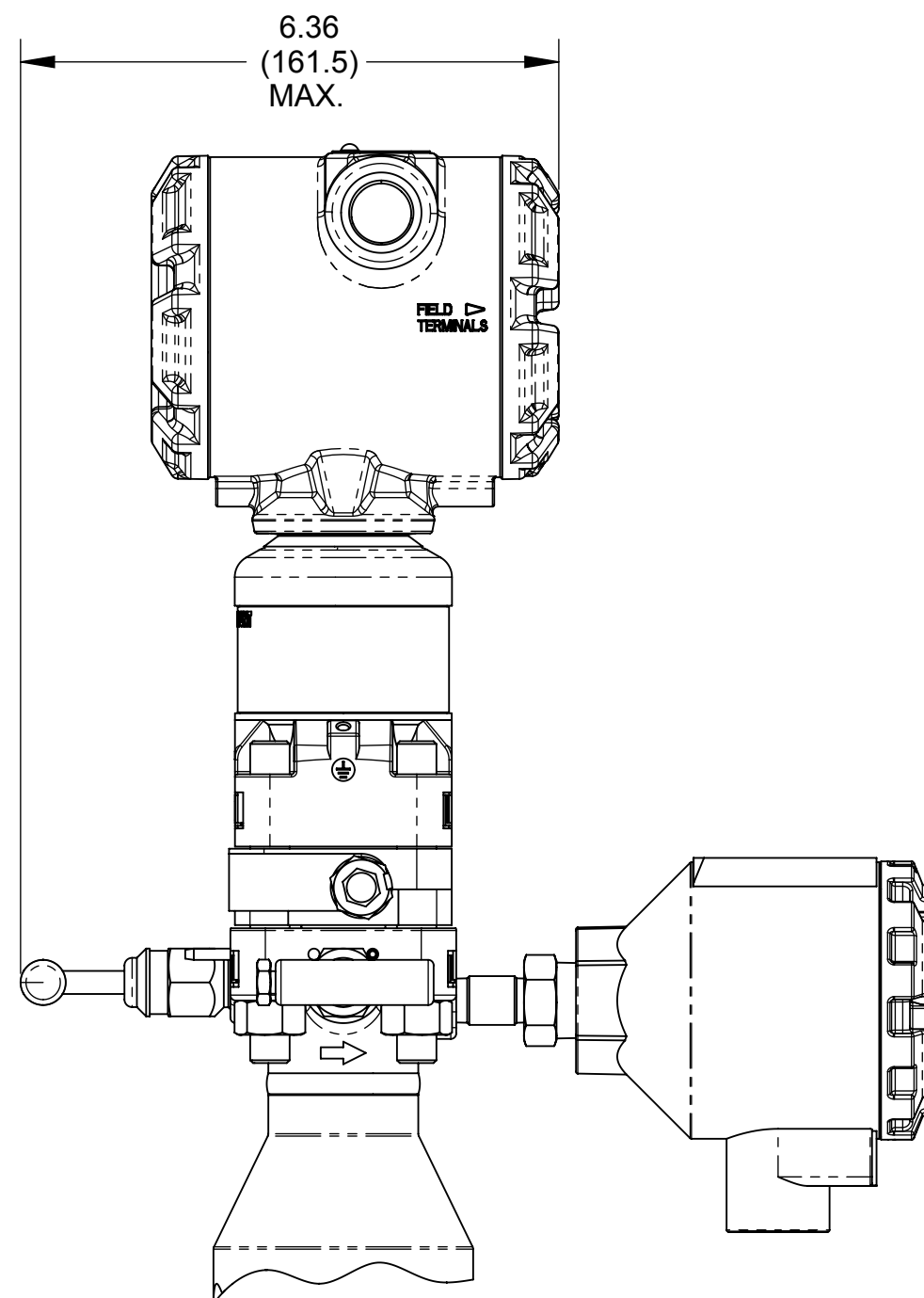
FLOWMETER	HEIGHT	WIDTH	TEMP WIDTH
2051CFA	7.03 [178,5]	5.50 [139,7]	10.09 [256,3]
3051CFA	7.1 (181)	5.67 [144,0]	
3051SFA	8.53 (216.7)	5.67 [144,0]	
3095MFA	7.1 (181)	5.67 [144,0]	



8.53  
(216.7)

LOW PRESSURE INSTRUMENT VALVE

HIGH PRESSURE INSTRUMENT VALVE



6.36  
(161.5)  
MAX.

**3051SFA SHOWN**

**ROSEMOUNT®**  
BOULDER, COLORADO

SIZE A	FSCM.NO.	DRAWING NO. <b>00485-1003</b>
SCALE: NONE WT.		SHEET 3 OF 3