

# EMT Angle Set Screw Connectors

NEC/CEC:  
Rated for Ordinary Locations

NEC/CEC:  
Rated for Ordinary Locations

## Type 8000SS

### Features

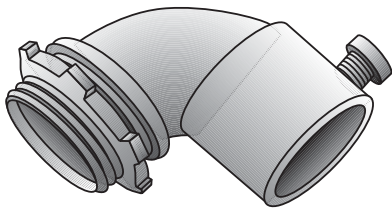
- Male hub threads NPS.

### Standard Materials

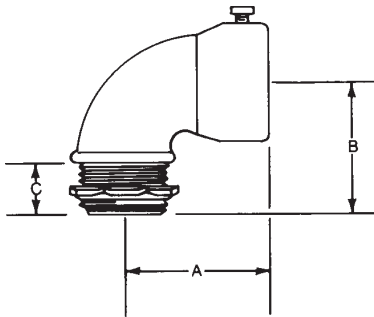
- Malleable iron

### Standard Finishes

- Zinc plated



### Illustrated Dimensions



Trade Size (Inches)	Dimensions in Millimeters (Inches)			Catalog Number
	A	B	C	
1/2	28.70 (1.13)	28.70 (1.13)	12.70 (0.5)	<b>8050SS</b>
3/4	36.58 (1.44)	36.58 (1.44)	11.18 (0.44)	<b>8075SS</b>
1	41.40 (1.63)	41.40 (1.63)	11.18 (0.44)	<b>8100SS</b>

## Type OE

### Features

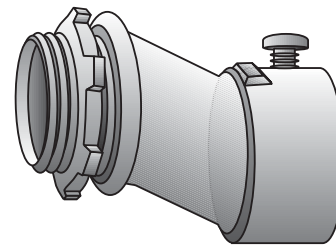
- Male hub threads NPS.

### Standard Materials

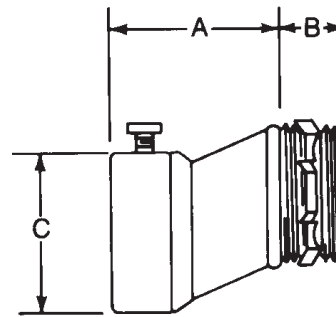
- Malleable iron

### Standard Finishes

- Zinc plated



### Illustrated Dimensions



Trade Size (Inches)	Dimensions in Millimeters (Inches)			Catalog Number
	A	B	C	
1/2	42.93 (1.69)	12.70 (0.5)	16.00 (0.63)	<b>OE-50</b>
3/4	42.93 (1.69)	12.70 (0.5)	16.00 (0.63)	<b>OE-75</b>
1	44.45 (1.75)	14.22 (0.56)	17.53 (0.69)	<b>OE-100</b>